

## HZ 系列SERIES

### 自行式曲臂型高空作业平台

### SELF-PROPELLED ARTICULATED BOOMS

#### Standard Features

- Self-leveling platform
- Hydraulic platform rotation
- Hall effect fully proportional controls
- Driving confirm
- AC wiring to platform
- Horn
- Hour meter
- Tilt alarm
- Positive traction drive
- Dual speed motor
- Emergency pump
- CAN intelligent control
- Overload limited

#### Options Features

- 2.4m platform
- Swing axis
- Platform swing gate
- Platform alternate leverage
- Welder connecting packages
- Welder wire connecting to the platform
- Air line to the platform
- Hydraulic oil cooler
- Hostile environment packages
- Anti-crash air packages
- Tool tray
- Alarm packages
- Platform work lights



美通重工有限公司

Mantall Heavy Industry Co.,Ltd

公司地址: 中国江苏省启东市滨海工业园滨海大道62号 邮编/PC: 226236

ADD: No.62,Binhai Avenue,Binhai Industry Park,Qidong City,Jiangsu Province,China

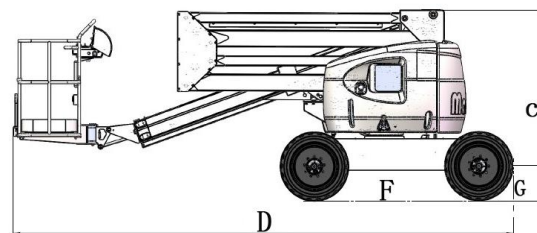
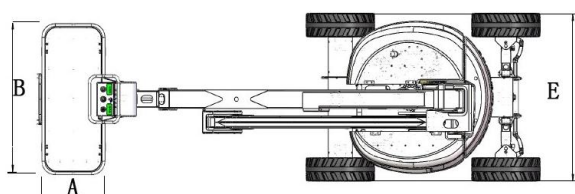
电话/Tel: +86-513-83830000 83696888

传真/Fax: +86-513-83905178

E-mail:sales@mantall.com

网址/Web:www.mantall.com

**SELF-PROPELLED ARTICULATING BOOMS**



Model s	HZ140 DC/HZ140J DC	
	Metric system	Inch
Lift Capacity max	230kg	507Pound
Working height max	14.00m	45Foot11Inch
Working platform height max	12.00m	39Foot5Inch
Working platform outreach max	7.50m	24. Foot7Inch
Across height max	6.50m	21Foot4Inch
Turntable rotation	355° discrete	
Drive speed, stowed	4.8km/h	2.98Mi le/Hour
Drive speed, extended	1.0km/h	
Platform rotation	180°	
Boom swing	0/140°	
Platform size L	1.8m	5Foot11Inch
Platform size W	0.76m	2Foot6Inch
Platform size H	1.1m	3Foot7Inch
Leveling platform	Hydraulic level	
Drive wheels number	2	
Steering wheel number	2	
Drive	DC48V	
System voltage	DC12V	
Tire size	33*12-20	
Controls	Electrical proportional control	
Turning radius-(outside)	3.30m	10Foot10Inch
Turning radius-(inside)	0.80m	2Foot7Inch
Turntable tailswing	0	
Maximum lateral force	400N	
Tilt angle max	3°	
Wind speed allowed max	12.5m/s	41Foot/Second
Gradeability	30%	
Height-stowed	2.00m	6Foot7Inch
Length-stowed	5.20m/6.20m	17Foot11Inch/20Foot4Inch
Width	1.75m	5Foot8Inch
Wheel base	2.00m	6Foot7Inch
Ground clearance	0.14m	6Inch
Hydraulic tank capacity	35L	
Total weight	6.3T/7.3T	6.2Long ton/7.18Long

## HZ 系列SERIES

### 自行式曲臂型高空作业平台

#### SELF-PROPELLED ARTICULATED BOOMS

##### Standard Features

- Self-leveling platform
- Hydraulic platform rotation
- Hall effect fully proportional controls
- Driving confirm
- AC wiring to platform
- Horn
- Hour meter
- Tilt alarm
- Positive traction drive
- Dual speed motor
- Emergency pump
- CAN intelligent control
- Overload limited

##### Options Features

- 2.4m platform
- Swing axis
- Platform swing gate
- Platform alternate leverage
- Welder connecting packages
- Welder wire connecting to the platform
- Air line to the platform
- Hydraulic oil cooler
- Hostile environment packages
- Anti-crash air packages
- Tool tray
- Alarm packages
- Platform work lights



美通重工有限公司

Mantall Heavy Industry Co.,Ltd

公司地址: 中国江苏省启东市滨海工业园滨海大道62号 邮编/PC: 226236

ADD: No.62,Binhai Avenue,Binhai Industry Park,Qidong City,Jiangsu Province,China

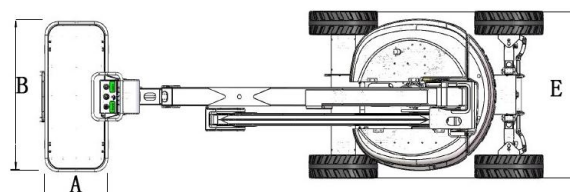
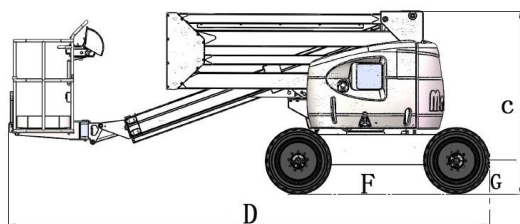
电话/Tel: +86-513-83830000 83696888

传真/Fax: +86-513-83905178

E-mail:sales@mantall.com

网址/Web:www.mantall.com

**SELF-PROPELLED ARTICULATING BOOMS**



Model s	HZ140 RT/ HZ140J RT	
	Metric system	Inch
Lift Capacity max	230kg	507Pound
Working height max	14.00m	45Foot11Inch
Working platform height max	12.00m	39Foot5Inch
Working platform outreach max	7.50m	24. Foot7Inch
Across height max	6.50m	21Foot4Inch
Turntable rotation	360°	
Drive speed, stowed	5.5km/h (7.0km/h 4WD)	3.4Mi le/Hour (4.3Mi le/Hour)
Drive speed, extended	1.0km/h	0.62Mi le/Hour
Platform rotation	180°	
Boom swing	0/140°	
Platform size L	1.8m	5Foot11Inch
Platform size W	0.76m	2Foot6Inch
Platform size H	1.1m	3Foot7Inch
Leveling platform	Hydraulic level	
Drive wheels number	2 (4WD)	
Steering wheel number	2	
Drive	Diesel motor	
System voltage	DC12V	
Tire size	33*12-20	
Controls	Electrical proportional control	
Turning radius-(outside)	3.70m	12Foot1Inch
Turning radius-(inside)	1.30m	4Foot3Inch
Turntable tailswing	0	
Maximum lateral force	400N	
Tilt angle max	3°	
Wind speed allowed max	12.5m/s	41Foot/Second
Gradeability	30% (45% 4WD)	
Height-stowed	2.30m	7Foot7Inch
Length-stowed	5.20m/6.20m	17Foot/20Foot4Inch
Width	2.00m	6Foot7Inch
Wheel base	2.00m	6Foot7Inch
Ground clearance	0.36m	1Foot2Inch
Hydraulic tank capacity	110L	
Feul tank capacity	65L	
Total weight	6.3T/7.3T	6.2Long ton/7.18Long ton

## HZ 系列SERIES

### 自行式曲臂型高空作业平台

### SELF-PROPELLED ARTICULATED BOOMS

#### Standard Features

- Self-leveling platform
- Hydraulic platform rotation
- Hall effect fully proportional controls
- Driving confirm
- AC wiring to platform
- Horn
- Hour meter
- Tilt alarm
- Positive traction drive
- Dual speed motor
- Emergency pump
- CAN intelligent control
- Overload limited

#### Options Features

- 2.4m platform
- Swing axis
- Platform swing gate
- Platform alternate leverage
- Welder connecting packages
- Welder wire connecting to the platform
- Air line to the platform
- Hydraulic oil cooler
- Hostile environment packages
- Anti-crash air packages
- Tool tray
- Alarm packages
- Platform work lights



美通重工有限公司

Mantall Heavy Industry Co.,Ltd

公司地址: 中国江苏省启东市滨海工业园滨海大道62号 邮编/PC: 226236

ADD: No.62,Binhai Avenue,Binhai Industry Park,Qidong City,Jiangsu Province,China

电话/Tel: +86-513-83830000 83696888

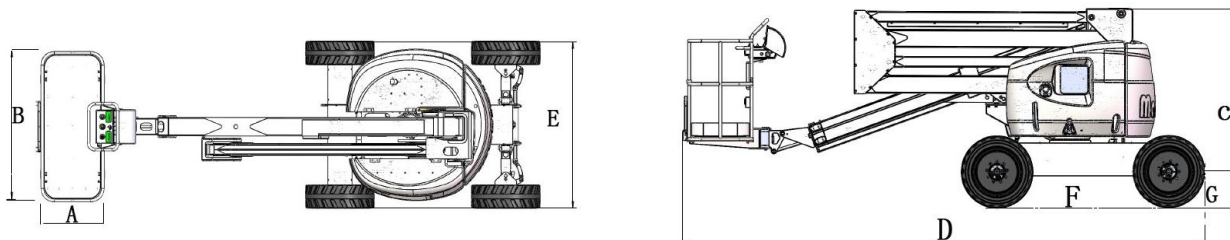
传真/Fax: +86-513-83905178

E-mail:sales@mantall.com

网址/Web:www.mantall.com



## SELF-PROPELLED ARTICULATING BOOMS



Model s	HZ160 DC/HZ160J DC	
	Metric system	Inch
Lift Capacity max	230kg	507Pound
Working height max	16.00m	52Foot6Inch
Working platform height max	14.00m	45Foot11Inch
Working platform outreach max	8.00m	26Foot3Inch
Across height max	7.00m	23Foot
Turntable rotation	355° discrete	
Drive speed, stowed	4.8km/h	2.98Mi le/Hour
Drive speed, extended	1.0km/h	0.62Mi le/Hour
Platform rotation	180°	
Boom swing	0/140°	
Platform size L	1.8m	5Foot11Inch
Platform size W	0.76m	2Foot6Inch
Platform size H	1.1m	3Foot7Inch
Leveling platform	Hydraulic level	
Drive wheels number	2	
Steering wheel number	2	
Drive	DC48V	
System voltage	DC12V	
Tire size	33*12-20	
Controls	Electrical proportional control	
Turning radius-(outside)	3.50m	11Foot6Inch
Turning radius-(inside)	1.00m	3Foot4Inch
Turntable tailswing	0	
Maximum lateral force	400N	
Tilt angle max	3°	
Wind speed allowed max	12.5m/s	41Foot/Second
Gradeability	30%	
Height-stowed	2.00m	6Foot7Inch
Length-stowed	5.50m/6.50m	18Foot1Inch/21Foot4Inch
Width	1.75m	5Foot8Inch
Wheel base	2.00m	6Foot7Inch
Ground clearance	0.14m	6Inch
Hydraulic tank capacity	35L	
Total weight	6.6T/7.5T	6.5Long ton/7.4Long ton

## HZ 系列SERIES

### 自行式曲臂型高空作业平台

### SELF-PROPELLED ARTICULATED BOOMS

#### Standard Features

- Self-leveling platform
- Hydraulic platform rotation
- Hall effect fully proportional controls
- Driving confirm
- AC wiring to platform
- Horn
- Hour meter
- Tilt alarm
- Positive traction drive
- Dual speed motor
- Emergency pump
- CAN intelligent control
- Overload limited

#### Options Features

- 2.4m platform
- Swing axis
- Platform swing gate
- Platform alternate leverage
- Welder connecting packages
- Welder wire connecting to the platform
- Air line to the platform
- Hydraulic oil cooler
- Hostile environment packages
- Anti-crash air packages
- Tool tray
- Alarm packages
- Platform work lights



美通重工有限公司

Mantall Heavy Industry Co.,Ltd

公司地址: 中国江苏省启东市滨海工业园滨海大道62号 邮编/PC: 226236

ADD: No.62,Binhai Avenue,Binhai Industry Park,Qidong City,Jiangsu Province,China

电话/Tel: +86-513-83830000 83696888

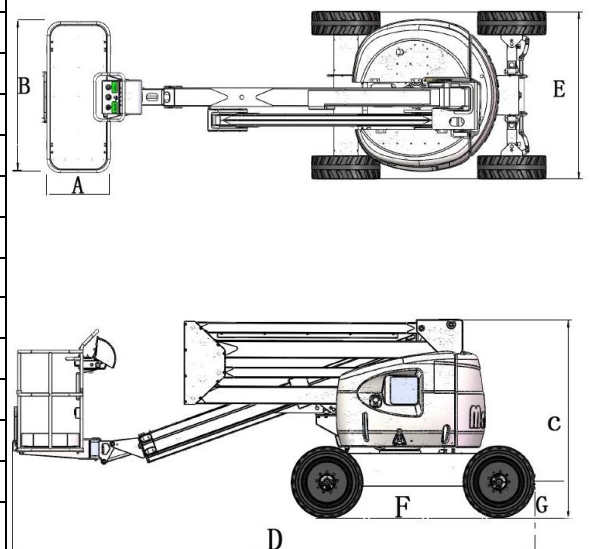
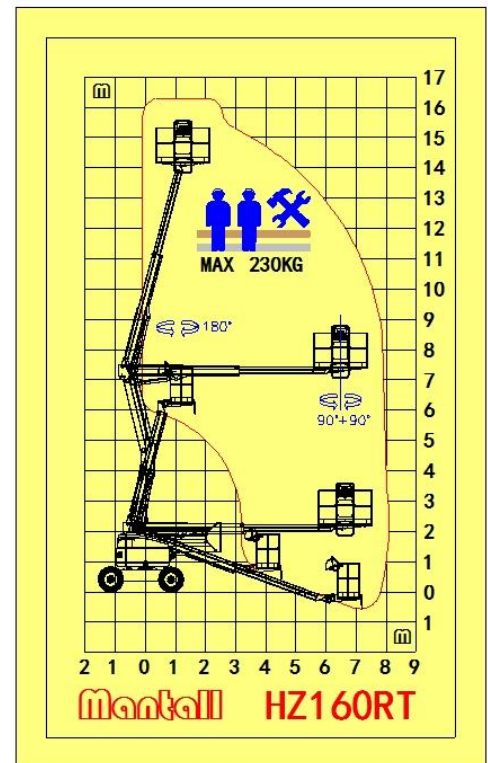
传真/Fax: +86-513-83905178

E-mail:sales@mantall.com

网址/Web:www.mantall.com

**SELF-PROPELLED ARTICULATING BOOMS**

Model s	HZ160 RT/	HZ160J RT
	Metric system	Inch
Lift Capacity max	230kg	507Pound
Working height max	16.00m	52Foot6Inch
Working platform height max	14.00m	45Foot11Inch
Working platform outreach max	8.00m	26Foot3Inch
Across height max	7.00m	23Foot
Turntable rotation	360°	
Drive speed, stowed	5.5km/h	3.4Mi le/Hour
Drive speed, extended	(7.0km/h 4WD) 1.0km/h	(4.3Mi le/Hour) 0.62Mi le/Hour
Platform rotation	180°	
Boom swing	0/140°	
Platform size L	1.8m	5Foot11Inch
Platform size W	0.76m	2Foot6Inch
Platform size H	1.1m	3Foot7Inch
Leveling platform	Hydraulic level	
Drive wheels number	2 (4WD)	
Steering wheel number	2	
Drive	Diesel motor	
System vol tage	DC12V	
Tire size	33*12-20	
Controls	Electrical propor-	
Turning radius-(outside)	4.00m	13Foot11Inch
Turning radius-(inside)	1.50m	4Foot11Inch
Turntable tailswing	0	
Maximum lateral force	400N	
Tilt angle max	3°	
Wind speed allowed max	12.5m/s	41Foot/Second
Gradeability	30% (45% 4WD)	
Height-stowed	2.30m	7Foot7Inch
Length-stowed	5.20m/6.20m	17Foot/20Foot4Inch
Width	2.00m	6Foot7Inch
Wheel base	2.00m	6Foot7Inch
Ground clearance	0.36m	1Foot2Inch
Hydraulic tank capacity	110L	
Fuel tank capacity	65L	
Total weight	6.6T/7.5T	6.5Long





## HZ 系列SERIES

### 自行式曲臂型高空作业平台

### SELF-PROPELLED ARTICULATED BOOMS

#### Standard Features

- Self-leveling platform
- Hydraulic platform rotation
- Hall effect fully proportional controls
- Driving confirm
- AC wiring to platform
- Horn
- Hour meter
- Tilt alarm
- Positive traction drive
- Dual speed motor
- Emergency pump
- CAN intelligent control
- Overload limited

#### Options Features

- 2.4m platform
- Swing axis
- Platform swing gate
- Platform alternate leverage
- Welder connecting packages
- Welder wire connecting to the platform
- Air line to the platform
- Hydraulic oil cooler
- Hostile environment packages
- Anti-crash air packages
- Tool tray
- Alarm packages
- Platform work lights



美通重工有限公司

Mantall Heavy Industry Co.,Ltd

公司地址: 中国江苏省启东市滨海工业园滨海大道62号 邮编/PC: 226236

ADD: No.62,Binhai Avenue,Binhai Industry Park,Qidong City,Jiangsu Province,China

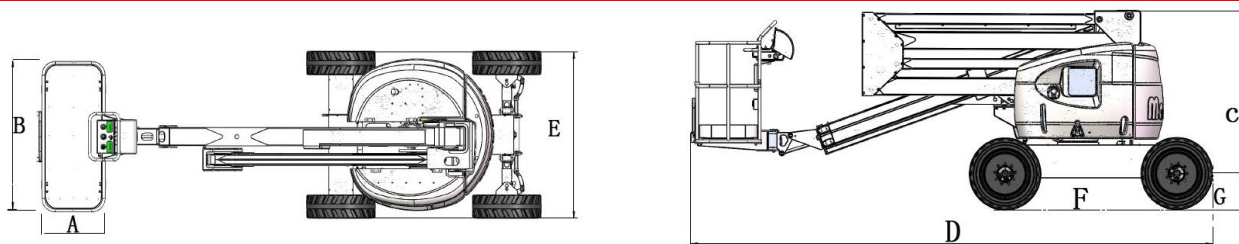
电话/Tel: +86-513-83830000 83696888

传真/Fax: +86-513-83905178

E-mail:sales@mantall.com

网址/Web:www.mantall.com

## SELF-PROPELLED ARTICULATING BOOMS



Model s	HZ200 DC/HZ200J DC	
	Metric system	Inch
Lift Capacity max	230kg	507Pound
Working height max	20.00m	65Foot7Inch
Working platform height max	18.00m	59Foot11Inch
Working platform outreach max	12.00m	39Foot4Inch
Across height max	8.00m	26Foot3Inch
Turntable rotation	355° discrete	
Drive speed, stowed	4.0km/h	2.48Mile/Hour
Drive speed, extended	1.0km/h	
Platform rotation	180°	
Boom swing	0/140°	
Platform size L	1.8m	5Foot11Inch
Platform size W	0.76m	2Foot6Inch
Platform size H	1.1m	3Foot7Inch
Leveling platform	Hydraulic level	
Drive wheels number	2	
Steering wheel number	2	
Drive	DC48V	
System voltage	DC12V	
Tire size	355/55D-625	
Controls	Electrical proportional control	
Turning radius-(outside)	5.50m	18Foot
Turning radius-(inside)	2.80m	9Foot2Inch
Turntable tailswing	0	
Maximum lateral force	400N	
Tilt angle max	3°	
Wind speed allowed max	12.5m/s	41Foot/Second
Gradeability	25%	
Height-stowed	2.60m	8Foot6Inch
Length-stowed	8.00m/8.80m	26Foot3Inch/28Foot11Inch
Width	2.50m	8Foot2Inch
Wheel base	2.85m	9Foot4Inch
Ground clearance	0.30m	1Foot
Hydraulic tank capacity	110L	
Total weight	9.0T/9.5T	8.85Long ton/9.35Long ton

## HZ 系列SERIES

### 自行式曲臂型高空作业平台

### SELF-PROPELLED ARTICULATED BOOMS

#### Standard Features

- Self-leveling platform
- Hydraulic platform rotation
- Hall effect fully proportional controls
- Driving confirm
- AC wiring to platform
- Horn
- Hour meter
- Tilt alarm
- Positive traction drive
- Dual speed motor
- Emergency pump
- CAN intelligent control
- Overload limited

#### Options Features

- 2.4m platform
- Swing axis
- Platform swing gate
- Platform alternate leverage
- Welder connecting packages
- Welder wire connecting to the platform
- Air line to the platform
- Hydraulic oil cooler
- Hostile environment packages
- Anti-crash air packages
- Tool tray
- Alarm packages
- Platform work lights



美通重工有限公司

Mantall Heavy Industry Co.,Ltd

公司地址: 中国江苏省启东市滨海工业园滨海大道62号 邮编/PC: 226236

ADD: No.62,Binhai Avenue,Binhai Industry Park,Qidong City,Jiangsu Province,China

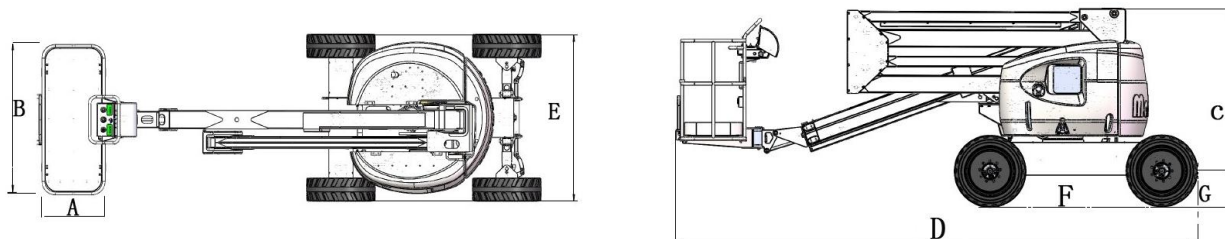
电话/Tel: +86-513-83830000 83696888

传真/Fax: +86-513-83905178

E-mail:sales@mantall.com

网址/Web:www.mantall.com

**SELF-PROPELLED ARTICULATING BOOMS**



Model s	HZ200 RT/ HZ200J RT	
	Metric system	Inch
Lift Capacity max	230kg	507Pound
Working height max	20.00m	65Foot71nch
Working platform height max	18.00m	59Foot11nch
Working platform outreach max	12.00m	39Foot41nch
Across height max	8.00m	26Foot31nch
Turntable rotation	360°	
Drive speed, stowed	4.8km/h	2.98Mile/Hour
Drive speed, extended	1.0km/h	0.62Mile/Hour
Platform rotation	180°	
Boom swing	0/140°	
Platform size L	1.8m	5Foot11nch
Platform size W	0.76m	2Foot61nch
Platform size H	1.1m	3Foot71nch
Leveling platform	Hydraulic level	
Drive wheels number	2 (4WD)	
Steering wheel number	2	
Drive	Diesel motor	
System voltage	DC12V	
Tire size	355/55D-625	
Controls	Electrical proportional control	
Turning radius-(outside)	6.00m	19Foot81nch
Turning radius-(inside)	3.10m	10Foot21nch
Turntable tailswing	0	
Maximum lateral force	400N	
Tilt angle max	3°	
Wind speed allowed max	12.5m/s	41Foot/Second
Gradeability	30% (45% 4WD)	
Height-stowed	2.60m	8Foot61nch
Length-stowed	8.00m/8.80m	26Foot31nch/28Foot111nch
Width	2.50m	8Foot21nch
Wheel base	2.80m	9Foot21nch
Ground clearance	0.30m	1Foot
Hydraulic tank capacity	110L	
Feul tank capacity	85L	
Total weight	9.0T/9.5T	8.85Long ton/9.35Long ton

## HZ 系列SERIES

### 自行式曲臂型高空作业平台

### SELF-PROPELLED ARTICULATED BOOMS

#### Standard Features

- Self-leveling platform
- Hydraulic platform rotation
- Hall effect fully proportional controls
- Driving confirm
- AC wiring to platform
- Horn
- Hour meter
- Tilt alarm
- Positive traction drive
- Dual speed motor
- Emergency pump
- CAN intelligent control
- Overload limited

#### Options Features

- 2.4m platform
- Swing axis
- Platform swing gate
- Platform alternate leverage
- Welder connecting packages
- Welder wire connecting to the platform
- Air line to the platform
- Hydraulic oil cooler
- Hostile environment packages
- Anti-crash air packages
- Tool tray
- Alarm packages
- Platform work lights



美通重工有限公司

Mantall Heavy Industry Co.,Ltd

公司地址: 中国江苏省启东市滨海工业园滨海大道62号 邮编/PC: 226236

ADD: No.62,Binhai Avenue,Binhai Industry Park,Qidong City,Jiangsu Province,China

电话/Tel: +86-513-83830000 83696888

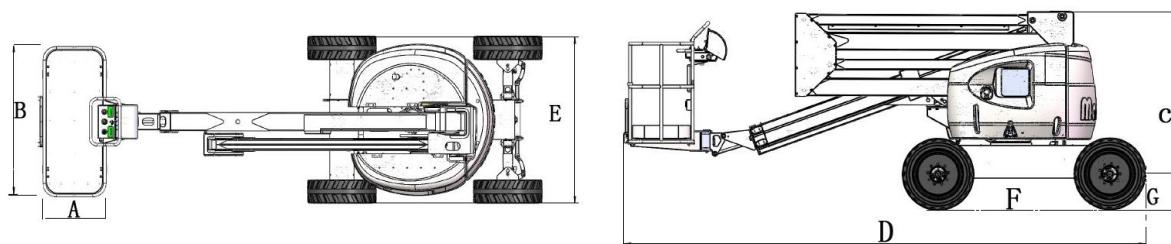
传真/Fax: +86-513-83905178

E-mail:sales@mantall.com

网址/Web:www.mantall.com



## SELF-PROPELLED ARTICULATING BOOMS



Model s	HZ260 RT/ HZ260J RT	
	Metric system	Inch
Lift Capacity max	230kg	507Pound
Working height max	26.00m	85Foot4Inch
Working platform height max	24.00m	78Foot8Inch
Working platform outreach max	15.00m	49Foot2Inch
Across height max	10.00m	32Foot10Inch
Turntable rotation	360°	
Drive speed, stowed	4.8km/h	2.98Mile/Hour
Drive speed, extended	1.0km/h	0.62Mile/Hour
Platform rotation	180°	
Boom swing	0/140°	
Platform size L	1.8m	5Foot11Inch
Platform size W	0.76m	2Foot6Inch
Platform size H	1.1m	3Foot7Inch
Leveling platform	Hydraulic level	
Drive wheels number	2 (4WD)	
Steering wheel number	2	
Drive	Diesel motor	
System voltage	DC12V	
Tire size	355/55D-625	
Controls	Electrical proportional control	
Turning radius-(outside)	6.80m	22Foot3Inch
Turning radius-(inside)	3.60m	11Foot10Inch
Turntable tailswing	0	
Maximum lateral force	400N	
Tilt angle max	3°	
Wind speed allowed max	12.5m/s	41Foot/Second
Gradeability	30% (45% 4WD)	
Height-stowed	2.90m	9Foot6Inch
Length-stowed	10.50m/11.00m	34Foot5Inch/36Foot11Inch
Width	2.50m	8Foot2Inch
Wheelbase	2.80m	9Foot2Inch
Ground clearance	0.30m	1Foot
Hydraulic tank capacity	120L	
Fuel tank capacity	150L	
Total weight	15.0T/15.5T	14.7Long ton/15.3Long ton

### HT 系列SERIES

## 自行式直臂型高空作业平台

### SELF-PROPELLED TELESCOPIC BOOMS

#### Standard Features

- Self-leveling platform
- Hydraulic platform rotation
- Hall effect fully proportional controls
- Driving confirm
- AC wiring to platform
- Horn
- Hour meter
- Tilt alarm
- Positive traction drive
- Dual speed motor
- Emergency pump
- CAN intelligent control
- Overload limited

#### Option Features

- 2.4m platform
- Swing axis
- Platform swing gate
- Platform alternate leverage
- Welder connecting packages
- Welder wire connecting to the platform
- Air line to the platform
- Hydraulic oil cooler
- Hostile environment packages
- Anti-crash air packages
- Tool tray
- Alarm packages
- Platform work lights
- Dual battery
- Traction packages
- AC power source



美通重工有限公司

Mantall Heavy Industry Co.,Ltd

公司地址: 中国江苏省启东市滨海工业园滨海大道62号 邮编/PC: 226236

ADD: No.62,Binhai Avenue,Binhai Industry Park,Qidong City,Jiangsu Province,China

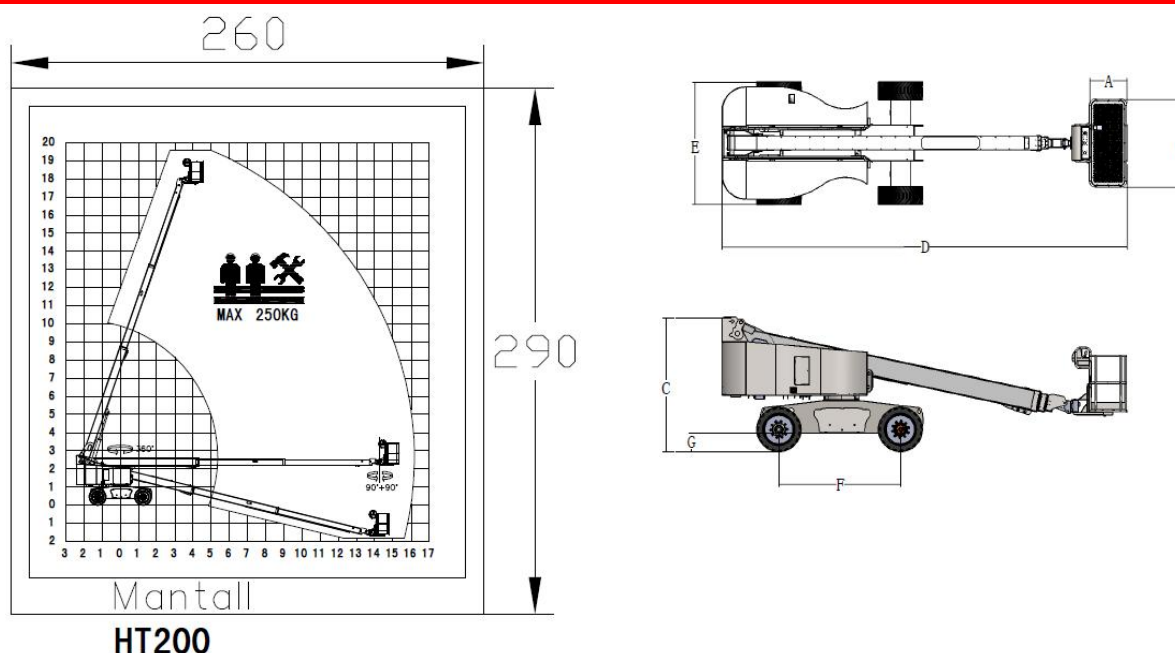
电话/Tel: +86-513-83830000 83696888

传真/Fax: +86-513-83905178

E-mail:sales@mantall.com

网址/Web:www.mantall.com

**SELF-PROPELLED TELESCOPIC BOOMS**



Model	HT 200	
	Metric system	Inch
Working height max	20m	65Foot7Inch
Working platform height max	18m	59Foot1Inch
Lift capacity max	250kg	551Pound
Total weight (2wd)	9.64T	9.48Long ton
Total weight (4wd)	9.75T	9.6Long ton
Length-stowed	8.5m	27Foot11Inch
Height-stowed	2.75m	9Foot
Width-stowed	2.5m	8Foot2Inch
Wheel base	2.5m	8Foot2Inch
Drive speed, stowed	6.1km/h (4WD 4.8km/h)	3.8Mile/Hour (4WD 2.98Mile/Hour)
Drive speed, extended	1.1km/h	0.68Mile/Hour
Gradeability (2wd/4wd)	30%/45%	
Tire	385/55D-24; rubble solid tire	
Power producer	Diesel motor	
Control mode	Electro hydraulic proportional control	
Turnable rotation	360°	
Platform rotation	180°	
Platform size L	1.8m	5Foot11Inch
Platform size W	0.76m	2Foot6Inch
Platform size H	1.1m	3Foot7Inch
Driving wheels number	2/4	
Steering wheels number	2/4	
System voltage	DC24V	

## HT 系列SERIES

### 自行式直臂型高空作业平台

### SELF-PROPELLED TELESCOPIC BOOMS

#### Standard Features

- Self-leveling platform
- Hydraulic platform rotation
- Hall effect fully proportional controls
- Driving confirm
- AC wiring to platform
- Horn
- Hour meter
- Tilt alarm
- Positive traction drive
- Dual speed motor
- Emergency pump
- CAN intelligent control
- Overload limited

#### Option Features

- 2.4m platform
- Swing axis
- Platform swing gate
- Platform alternate leverage
- Welder connecting packages
- Welder wire connecting to the platform
- Air line to the platform
- Hydraulic oil cooler
- Hostile environment packages
- Anti-crash air packages
- Tool tray
- Alarm packages
- Platform work lights
- Dual battery
- Traction packages
- AC power source



美通重工有限公司

Mantall Heavy Industry Co.,Ltd

公司地址: 中国江苏省启东市滨海工业园滨海大道62号 邮编/PC: 226236

ADD: No.62,Binhai Avenue,Binhai Industry Park,Qidong City,Jiangsu Province,China

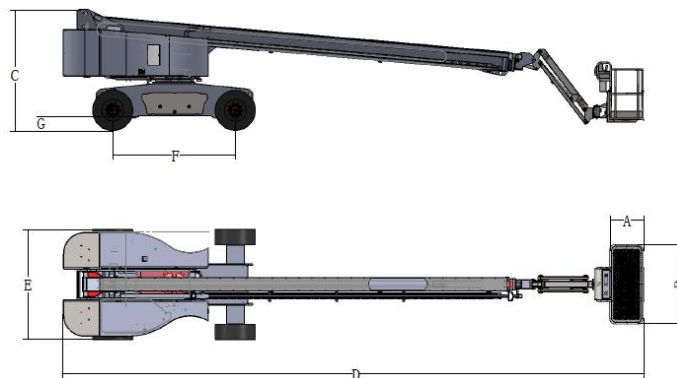
电话/Tel: +86-513-83830000 83696888

传真/Fax: +86-513-83905178

E-mail:sales@mantall.com

网址/Web:www.mantall.com

SELF-PROPELLED TELESCOPIC BOOMS



Model	HT 215J	
	Metric system	Inch
Working height max	21.5m	70Foot6Inch
Working platform height max	19.5m	64Foot
Lift capacity max	250kg	551Pound
Total weight(2wd)	10.2T	10.04Long ton
Total weight(4wd)	10.28T	10.11Long ton
Length-stowed	9.5m	31Foot2Inch
Height-stowed	2.75m	9Foot
Width-stowed	2.5m	8Foot2Inch
Wheel base	2.5m	8Foot2Inch
Drive speed, stowed	6.1km/h (4WD 4.8km/h)	3.8Mile/Hour (4WD 2.98Mile/Hour)
Drive speed, extended	1.1km/h	0.68Mile/Hour
Gradeability(2wd/4wd)	30%/45%	
Tire	385/55D-24; rubble solid tire	
Power producer	Diesel motor	
Control mode	Electro hydraulic proportional control	
Turnable rotation	360°	
Platform rotation	180°	
Platform size L	1.8m	5Foot11Inch
Platform size W	0.76m	2Foot6Inch
Platform size H	1.1m	3Foot7Inch
Driving wheels number	2/4	
Steering wheels number	2/4	
System voltage	DC24V	



## HT 系列SERIES

### 自行式直臂型高空作业平台

#### SELF-PROPELLED TELESCOPIC BOOMS

##### Standard Features

- Self-leveling platform
- Hydraulic platform rotation
- Hall effect fully proportional controls
- Driving confirm
- AC wiring to platform
- Horn
- Hour meter
- Tilt alarm
- Positive traction drive
- Dual speed motor
- Emergency pump
- CAN intelligent control
- Overload limited

##### Option Features

- 2.4m platform
- Swing axis
- Platform swing gate
- Platform alternate leverage
- Welder connecting packages
- Welder wire connecting to the platform
- Air line to the platform
- Hydraulic oil cooler
- Hostile environment packages
- Anti-crash air packages
- Tool tray
- Alarm packages
- Platform work lights
- Dual battery
- Traction packages
- AC power source



美通重工有限公司

Mantall Heavy Industry Co.,Ltd

公司地址: 中国江苏省启东市滨海工业园滨海大道62号 邮编/PC: 226236

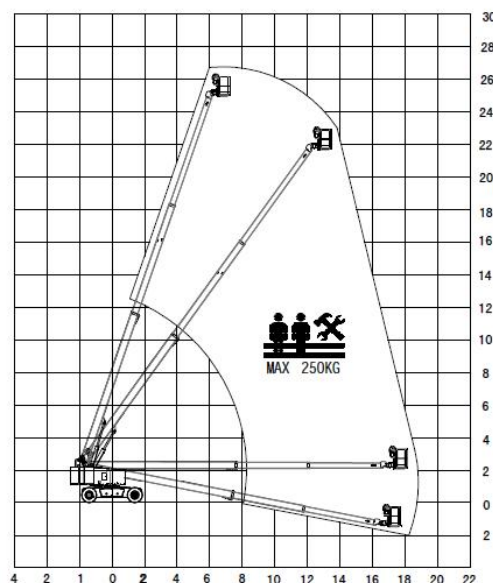
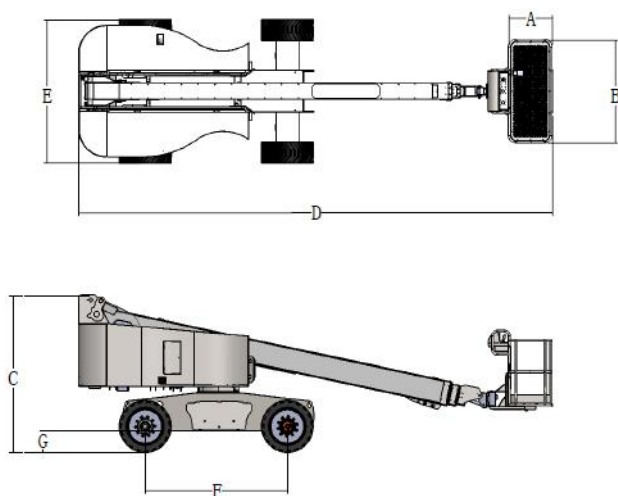
ADD: No.62,Binhai Avenue,Binhai Industry Park,Qidong City,Jiangsu Province,China

电话/Tel: +86-513-83830000 83696888

传真/Fax: +86-513-83905178

E-mail:sales@mantall.com

网址/Web:www.mantall.com



Mantall HT270

Model	HT 270	
	Metric system	Inch
Working height max	27m	88Foot7Inch
Working platform height max	25m	82Foot11Inch
Lift capacity max	250kg	551Pound
Total weight(2wd)	18.5T	18.2Long ton
Total weight(4wd)	19T	18.7Long ton
Length-stowed	11.8m	38Foot8Inch
Height-stowed	2.8m	9Foot2Inch
Width-stowed	2.5m	8Foot2Inch
Wheel base	2.8m	9Foot2Inch
Drive speed, stowed	5.6km/h	3.48Mile/Hour
Drive speed, extended	1.1km/h	0.68Mile/Hour
Gradeability(2wd/4wd)	30%/45%	
Tire	385/55D-24; rubble solid tire	
Power producer	Diesel motor	
Control mode	Electro hydraulic proportional control	
Turnable rotation	360°	
Platform rotation	180°	
Platform size L	1.8m	5Foot11Inch
Platform size W	0.76m	2Foot6Inch
Platform size H	1.1m	3Foot7Inch
Driving wheels number	2/4	
Steering wheels number	2/4	
System voltage	DC24V	

## HT 系列SERIES

### 自行式直臂型高空作业平台

#### SELF-PROPELLED TELESCOPIC BOOMS

##### Standard Features

- Self-leveling platform
- Hydraulic platform rotation
- Hall effect fully proportional controls
- Driving confirm
- AC wiring to platform
- Horn
- Hour meter
- Tilt alarm
- Positive traction drive
- Dual speed motor
- Emergency pump
- CAN intelligent control
- Overload limited

##### Option Features

- 2.4m platform
- Swing axis
- Platform swing gate
- Platform alternate leverage
- Welder connecting packages
- Welder wire connecting to the platform
- Air line to the platform
- Hydraulic oil cooler
- Hostile environment packages
- Anti-crash air packages
- Tool tray
- Alarm packages
- Platform work lights
- Dual battery
- Traction packages
- AC power source



美通重工有限公司

Mantall Heavy Industry Co.,Ltd

公司地址: 中国江苏省启东市滨海工业园滨海大道62号 邮编/PC: 226236

ADD: No.62,Binhai Avenue,Binhai Industry Park,Qidong City,Jiangsu Province,China

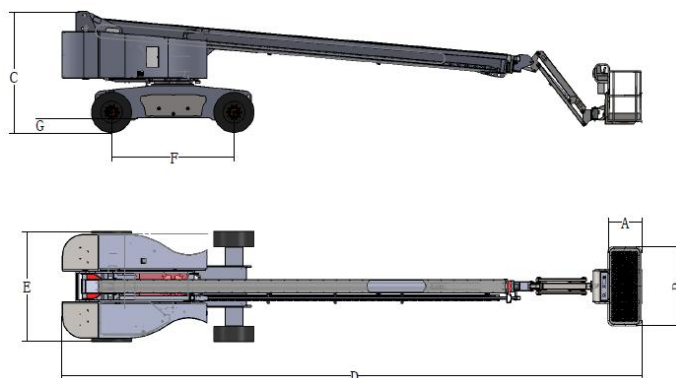
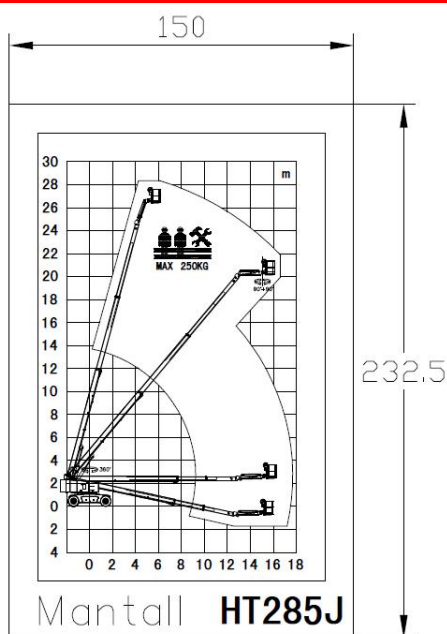
电话/Tel: +86-513-83830000 83696888

传真/Fax: +86-513-83905178

E-mail:sales@mantall.com

网址/Web:www.mantall.com

**SELF-PROPELLED TELESCOPIC BOOMS**



Model	HT 285J	
	Metric system	Inch
Working height max	28.5m	93Foot6Inch
Working platform height max	26.5m	86Foot11Inch
Lift capacity max	250kg	551Pound
Total weight(2wd)	17T	16.7Long ton
Total weight(4wd)	17.2T	16.9Long ton
Length-stowed	12.5m	41Foot
Height-stowed	2.8m	9Foot2Inch
Width-stowed	2.5m	8Foot2Inch
Wheel base	2.8m	9Foot2Inch
Drive speed, stowed	5.6km/h	3.48Mile/Hour
Drive speed, extended	1.1km/h	0.68Mile/Hour
Gradeability(2wd/4wd)	30%/45%	
Tire	385/55D-24; rubble solid tire	
Power producer	Diesel motor	
Control mode	Electro hydraulic proportional control	
Turnable rotation	360°	
Platform rotation	180°	
Platform size L	1.8m	5Foot11Inch
Platform size W	0.76m	2Foot6Inch
Platform size H	1.1m	3Foot7Inch
Driving wheels number	2/4	
Steering wheels number	2/4	
System voltage	DC24V	

## HT 系列SERIES

### 自行式直臂型高空作业平台

#### SELF-PROPELLED TELESCOPIC BOOMS

##### Standard Features

- Self-leveling platform
- Hydraulic platform rotation
- Hall effect fully proportional controls
- Driving confirm
- AC wiring to platform
- Horn
- Hour meter
- Tilt alarm
- Positive traction drive
- Dual speed motor
- Emergency pump
- CAN intelligent control
- Overload limited

##### Option Features

- 2.4m platform
- Swing axis
- Platform swing gate
- Platform alternate leverage
- Welder connecting packages
- Welder wire connecting to the platform
- Air line to the platform
- Hydraulic oil cooler
- Hostile environment packages
- Anti-crash air packages
- Tool tray
- Alarm packages
- Platform work lights
- Dual battery
- Traction packages
- AC power source



美通重工有限公司

Mantall Heavy Industry Co.,Ltd

公司地址: 中国江苏省启东市滨海工业园滨海大道62号 邮编/PC: 226236

ADD: No.62,Binhai Avenue,Binhai Industry Park,Qidong City,Jiangsu Province,China

电话/Tel: +86-513-83830000 83696888

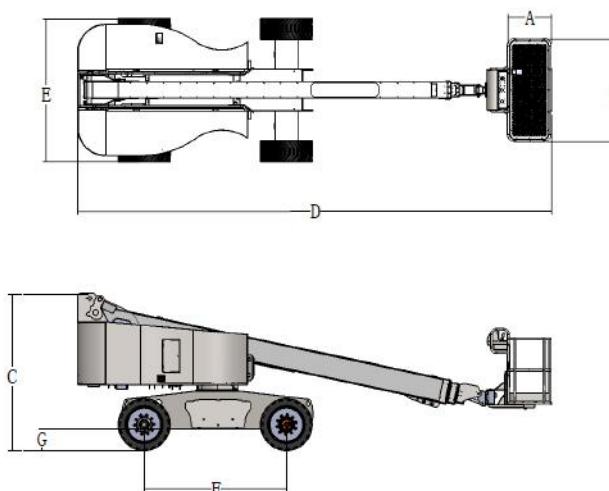
传真/Fax: +86-513-83905178

E-mail:sales@mantall.com

网址/Web:www.mantall.com



SELF-PROPELLED TELESCOPIC BOOMS



Model	HT 330	
	Metric system	Inch
Working height max	33m	108Foot4Inch
Working platform height max	31m	101Foot8Inch
Lift capacity max	340kg	749Pound
Total weight(2wd)	18.5T	18.2Long ton
Total weight(4wd)	18.58T	18.28Long ton
Length-stowed	13.2m	43Foot4Inch
Height-stowed	3.1m	10Foot2Inch
Width-stowed	2.5m (3.35m)	8Foot2Inch (11Foot)
Wheel base	3.65m	12Foot
Drive speed, stowed	4.5km/h	2.8Mile/Hour
Drive speed, extended	0.55km/h	0.34Mile/Hour
Gradeability(2wd/4wd)	25%/40%	
Tire	385/55D-24; rubble solid tire	
Power producer	Diesel motor	
Control mode	Electro hydraulic proportional control	
Turnable rotation	360°	
Platform rotation	180°	
Platform size L	1.8m	5Foot11Inch
Platform size W	0.76m	2Foot6Inch
Platform size H	1.1m	3Foot7Inch
Driving wheels number	2/4	
Steering wheels number	2/4	
System voltage	DC24V	

### HT 系列SERIES

## 自行式直臂型高空作业平台

### SELF-PROPELLED TELESCOPIC BOOMS

#### Standard Features

- Self-leveling platform
- Hydraulic platform rotation
- Hall effect fully proportional controls
- Driving confirm
- AC wiring to platform
- Horn
- Hour meter
- Tilt alarm
- Positive traction drive
- Dual speed motor
- Emergency pump
- CAN intelligent control
- Overload limited

#### Option Features

- 2.4m platform
- Swing axis
- Platform swing gate
- Platform alternate leverage
- Welder connecting packages
- Welder wire connecting to the platform
- Air line to the platform
- Hydraulic oil cooler
- Hostile environment packages
- Anti-crash air packages
- Tool tray
- Alarm packages
- Platform work lights
- Dual battery
- Traction packages
- AC power source



美通重工有限公司

Mantall Heavy Industry Co.,Ltd

公司地址: 中国江苏省启东市滨海工业园滨海大道62号 邮编/PC: 226236

ADD: No.62,Binhai Avenue,Binhai Industry Park,Qidong City,Jiangsu Province,China

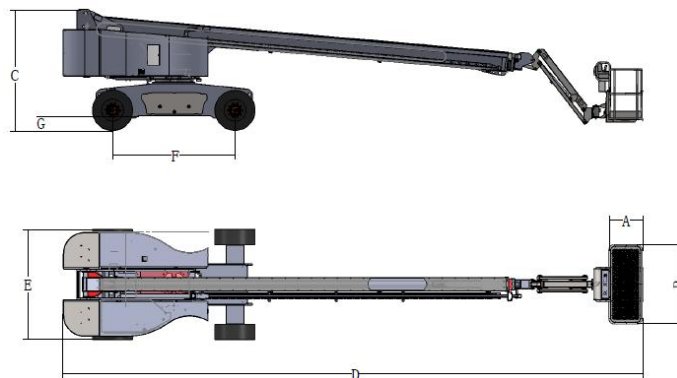
电话/Tel: +86-513-83830000 83696888

传真/Fax: +86-513-83905178

E-mail:sales@mantall.com

网址/Web:www.mantall.com

**SELF-PROPELLED TELESCOPIC BOOMS**



Model	HT 350J	
	Metric system	Inch
Working height max	35m	114Foot10Inch
Working platform height max	33m	108Foot4Inch
Lift capacity max	340kg	749Pound
Total weight(2wd)	18.5T	18.2Long ton
Total weight(4wd)	18.58T	18.28Long ton
Length-stowed	13.5m	44Foot4Inch
Height-stowed	3.1m	10Foot2Inch
Width-stowed	2.5m (3.35m)	8Foot2Inch (11Foot)
Wheel base	3.65m	12Foot
Drive speed, stowed	4.5km/h	2.8Mile/Hour
Drive speed, extended	0.55km/h	0.34Mile/Hour
Gradeability(2wd/4wd)	25%/40%	
Tire	385/55D-24; rubble solid tire	
Power producer	Diesel motor	
Control mode	Electro hydraulic proportional control	
Turnable rotation	360°	
Platform rotation	180°	
Platform size L	1.8m	5Foot11Inch
Platform size W	0.76m	2Foot6Inch
Platform size H	1.1m	3Foot7Inch
Driving wheels number	2/4	
Steering wheels number	2/4	
System voltage	DC24V	

### HT 系列SERIES

## 自行式直臂型高空作业平台

### SELF-PROPELLED TELESCOPIC BOOMS

#### Standard Features

- Self-leveling platform
- Hydraulic platform rotation
- Hall effect fully proportional controls
- Driving confirm
- AC wiring to platform
- Horn
- Hour meter
- Tilt alarm
- Positive traction drive
- Dual speed motor
- Emergency pump
- CAN intelligent control
- Overload limited

#### Option Features

- 2.4m platform
- Swing axis
- Platform swing gate
- Platform alternate leverage
- Welder connecting packages
- Welder wire connecting to the platform
- Air line to the platform
- Hydraulic oil cooler
- Hostile environment packages
- Anti-crash air packages
- Tool tray
- Alarm packages
- Platform work lights
- Dual battery
- Traction packages
- AC power source



美通重工有限公司

Mantall Heavy Industry Co.,Ltd

公司地址: 中国江苏省启东市滨海工业园滨海大道62号 邮编/PC: 226236

ADD: No.62,Binhai Avenue,Binhai Industry Park,Qidong City,Jiangsu Province,China

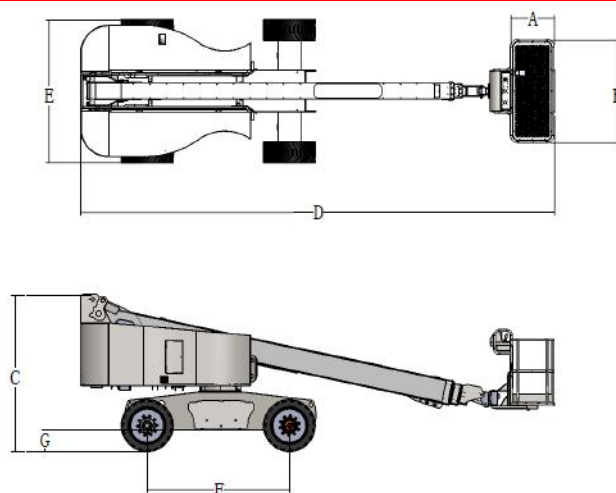
电话/Tel: +86-513-83830000 83696888

传真/Fax: +86-513-83905178

E-mail:sales@mantall.com

网址/Web:www.mantall.com

**SELF-PROPELLED TELESCOPIC BOOMS**



Model	HT 390	
	Metric system	Inch
Working height max	39m	128Foot
Working platform height max	37m	121Foot5Inch
Li ft capaci ty max	340kg	749Pound
Total weight(2wd)	19.5T	19.19Long ton
Total weight(4wd)	19.58T	19.27Long ton
Length-stowed	13.5m	44Foot4Inch
Height-stowed	3.1m	10Foot2Inch
Width-stowed	2.5m (3.35m)	8Foot2Inch (11Foot)
Wheel base	3.65m	12Foot
Drive speed, stowed	4.5km/h	2.8Mile/Hour
Drive speed, extended	0.55km/h	0.34Mile/Hour
Gradeability(2wd/4wd)	25%/40%	
Tire	445/65D-22.5; rubble solid tire	
Power producer	Diesel motor	
Control mode	Electro hydraulic proportional control	
Turnable rotation	360°	
Platform rotation	180°	
Platform size L	1.8m	5Foot11Inch
Platform size W	0.76m	2Foot6Inch
Platform size H	1.1m	3Foot7Inch
Driving wheels number	2/4	
Steering wheels number	2/4	
System voltage	DC24V	



### HT 系列SERIES

#### 自行式直臂型高空作业平台

#### SELF-PROPELLED TELESCOPIC BOOMS

##### Standard Features

- Self-leveling platform
- Hydraulic platform rotation
- Hall effect fully proportional controls
- Driving confirm
- AC wiring to platform
- Horn
- Hour meter
- Tilt alarm
- Positive traction drive
- Dual speed motor
- Emergency pump
- CAN intelligent control
- Overload limited

##### Option Features

- 2.4m platform
- Swing axis
- Platform swing gate
- Platform alternate leverage
- Welder connecting packages
- Welder wire connecting to the platform
- Air line to the platform
- Hydraulic oil cooler
- Hostile environment packages
- Anti-crash air packages
- Tool tray
- Alarm packages
- Platform work lights
- Dual battery
- Traction packages
- AC power source



美通重工有限公司

Mantall Heavy Industry Co.,Ltd

公司地址: 中国江苏省启东市滨海工业园滨海大道62号 邮编/PC: 226236

ADD: No.62,Binhai Avenue,Binhai Industry Park,Qidong City,Jiangsu Province,China

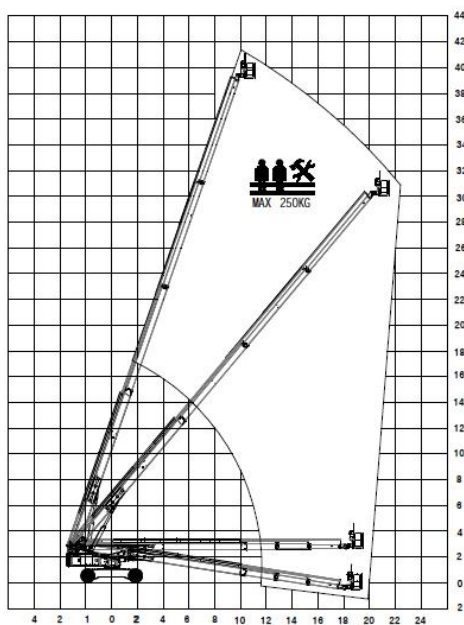
电话/Tel: +86-513-83830000 83696888

传真/Fax: +86-513-83905178

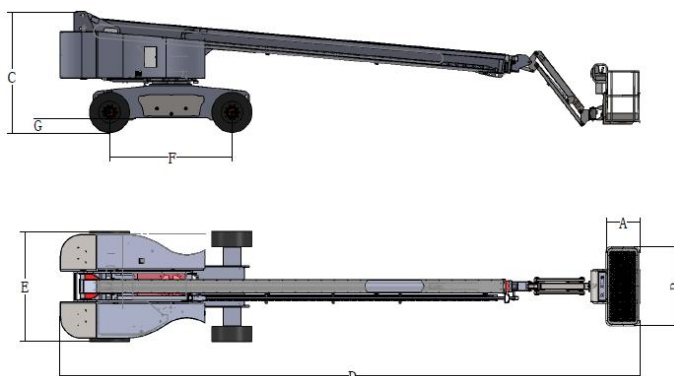
E-mail:sales@mantall.com

网址/Web:www.mantall.com

**SELF-PROPELLED TELESCOPIC BOOMS**



Mantall HT410



Model	HT 410J	
	Metric system	Inch
Working height max	41m	134Foot6Inch
Working platform height max	39m	128Foot
Lift capacity max	340kg	749Pound
Total weight(2wd)	20.5T	20.17Long ton
Total weight(4wd)	20.58T	20.25Long ton
Length-stowed	13.8m	45Foot4Inch
Height-stowed	3.1m	10Foot2Inch
Width-stowed	2.5m (3.35m)	8Foot2Inch (11Foot)
Wheel base	3.65m	12Foot
Drive speed, stowed	4.5km/h	2.8Mile/Hour
Drive speed, extended	0.55km/h	0.34Mile/Hour
Gradeability(2wd/4wd)	25%/40%	
Tire	445/65D-22.5; rubble solid tire	
Power producer	Diesel motor	
Control mode	Electro hydraulic proportional control	
Turnable rotation	360°	
Platform rotation	180°	
Platform size L	1.8m	5Foot11Inch
Platform size W	0.76m	2Foot6Inch
Platform size H	1.1m	3Foot7Inch
Driving wheels number	2/4	
Steering wheels number	2/4	
System voltage	DC24V	