

XE-N 系列SERIES

自行式电动剪叉型高空作业平台

ELECTRIC SELF-PROPELLED SCISSOR LIFT

Standard Features

- XE-N series working height is 6.5m(about 21 feet) and 8m(about 26 feet)
- The platform can outreach 0.9m (about 3 feet), and the machine can be 2.52m(about 8.26 feet)
- Compact design, can be easily passed single standard door and enter the lift, and so on
- The Min. lift capacity is 230 kg(about 506pound), the Max. lift capacity is 270kg(594pound)
- Proportional controls for lift and drive functions
- Automatic 25 amp battery charger provides strong power for vehicle
- Safe distance protection when the platform lowering down. (CE)
- Manual Emergency platform lowering valve, when there is no power, the machine can be safety lower down
- Emergency stop at both platform and ground controls
- Drive speed interlock limits speed while elevated
- Multiple disc brakes provide smooth deceleration
- When there is no power, manual brake release function can move the machines under the circumstances when there is no other forklift, lifting equipment and so on.
- Pothole guards protect the machine don't tilting down when the machine moved on the raised position
- Non-marking tires make sure there is no damage and no marks on the ground
- It has the 30% gradeability, and at the same time each machine equipped tilt sensor alarm to make sure the user can use the machine correctly
- Diagnostic system

Option Features

- Platform revolving door
- Folding platform column
- Air pipe to the platform
- Power outlet channel platform
- Platform working light
- Maintenance-free battery
- Safety devices against overloading
- Flashing warning lights
- Motorcar horn
- Collision Avoidance System
- Head protection automatic stop system



美通重工有限公司

Mantall Heavy Industry Co.,Ltd

公司地址：中国江苏省启东市滨海工业园滨海大道62号 邮编/PC：226236

ADD: No.62,Binhai Avenue,Binhai Industry Park,Qidong City,Jiangsu Province,China

电话/Tel: +86-513-83830000 83696888

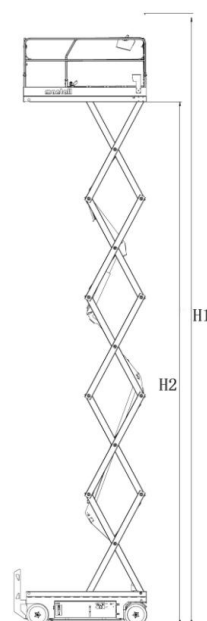
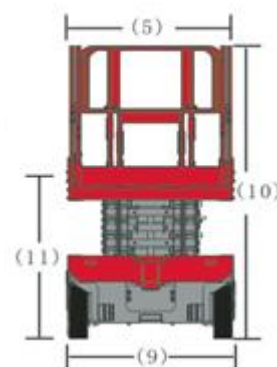
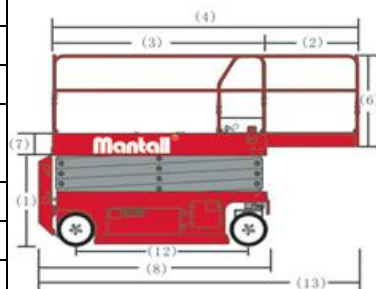
传真/Fax: +86-513-83905178

E-mail:sales@mantall.com

网址/Web:www.mantall.com

ELECTRIC SELF-PROPELLED SCISSOR LIFT

Model s	XE65N		XE80N	
	Metric system	Inch	Metric system	Inch
Working height max	6.5m	21Foot4Inch	8	26Foot2Inch
Platform height max	4.5m	14Foot10Inch	6	19Foot8Inch
Outreach	0.9m	3Foot	0.9	3Foot
Lifting capacity	270kg	595Pound	230	507Pound
Lifting capacity (Extended platform)	115kg	253Pound	115	253Pound
Weight (kg)ANSI /CSA Standard	1164kg	2566Pound	1225	2700Pound
CE/AUS Standard	1235kg	2722Pound	1364	3007Pound
Platform size L	1.61m	5Foot4Inch	1.61	5Foot4Inch
Platform size W	0.72m	2Foot5Inch	0.72	2Foot5Inch
Platform size H	1.1m	3Foot7Inch	1.1	3Foot7Inch
The length of platform extended	2.52m	8Foot4Inch	2.52	8Foot4Inch
Skirting board height	0.15m	6Inch	0.15	6Inch
Stowed size(L×W)	1.85m×0.77m	6Foot1Inch*2Foot6Inch	1.85×0.77	6Foot1Inch*2Foot6Inch
Stowed height	2m	6Foot7Inch	2.1	6Foot11Inch
Width of the machine with platform folded	1.74m	5Foot8Inch	1.6	5Foot2Inch
Wheelbase	1.32m	4Foot4Inch	1.32	4Foot4Inch
Length of the machine with platform extended	2.75m	9Foot	2.75	9Foot
Hydraulic tank capacity(L)	15		15	
Gradeability	30%		30%	
Ground clearance	0.06m	2Inch	0.06	2Inch
Pothole protection board ground clearance(down)	0.02m	1Inch	0.02	1Inch
Inside rotation radius	0	0	0	0
Outside turning radius	1.56m	5Foot1Inch	1.56	5Foot1Inch
Load number max	2		2	
Raised time/Lowering time(s)	17/28		17/26	
Traction speed	3.8km/h	2.4Mile/Hour	3.8	2.4Mile/Hour
Safe speed	0.7km/h	0.43Mile/Hour	0.7	0.43Mile/Hour
Vertical tilt°	3		3	
Lateral tilt°	2		2	
Power source	4×6V; 225Ah		4×6V; 225Ah	
Tire size	356×114×254mm	1Foot2Inch*5Inch*10Inch	356×114×254mm	1Foot2Inch*5Inch*10Inch



XE-C 系列SERIES

自行式电动剪叉型高空作业平台

ELECTRIC SELF-PROPELLED SCISSOR LIFT

Standard Features

- XE-C series working height is 8m (about 26 feet) and 10m (about 32 feet)
- The platform can outreach 1m (XE-C series)
- Compact design, XE-C series can be easily passed single standard door, the length about platform can be the same with XE-W series. The length can be 3.2m after the extended
- The Min. lift capacity is 230 kg, the Max. lift capacity is 350kg
- Proportional controls for lift and drive functions
- Automatic 25 amp battery charger provides strong power for vehicle
- Safe distance protection when the platform lowering down. (CE)
- Manual Emergency platform lowering valve, when there is no power, the machine can be safety lower down
- Emergency stop at both platform and ground controls
- Drive speed interlock limits speed while elevated
- When there is no power, manual brake release function can move the machines under the circumstances when there is no other fork-lift, lifting equipment and so on
- Pothole guards protect the machine don't tilting down when the machine moved on the raised position
- Non-marking tires
- AC wiring to platform
- Tilt level sensor with an audible alarm
- Beeper horn
- Hour meter
- Safety brackets
- Battery charge indicator
- Forklift pockets
- Diagnosis system
- Extended platform

Option Features

- Platform revolving door
- Folding platform column
- Air pipe to the platform
- Power outlet channel platform
- Platform working light
- Maintenance-free battery
- Safety devices against overloading
- Flashing warning lights
- Motorcar horn
- Collision Avoidance System
- Head protection automatic stop system



美通重工有限公司

Mantall Heavy Industry Co., Ltd

公司地址: 中国江苏省启东市滨海工业园滨海大道62号 邮编/PC: 226236

ADD: No.62, Binhai Avenue, Binhai Industry Park, Qidong City, Jiangsu Province, China

电话/Tel: +86-513-83830000 83696888

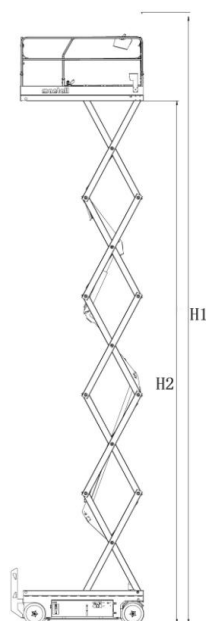
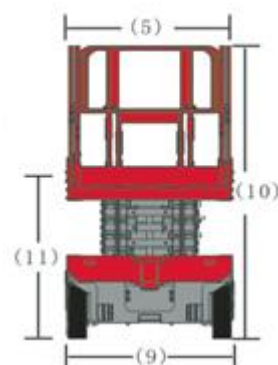
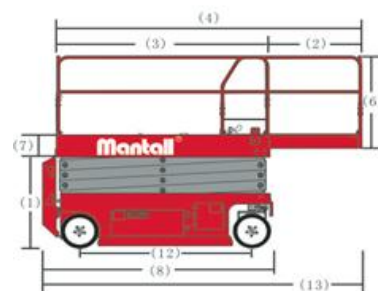
传真/Fax: +86-513-83905178

E-mail: sales@mantall.com

网址/Web: www.mantall.com

ELECTRIC SELF-PROPELLED SCISSOR LIFT

Model s	XE80C		XE100C	
	Metric system	Inch	Metric system	Inch
Working height max	8m	26Foot2Inch	10m	32Foot10Inch
Platform height max	6m	19Foot8Inch	8m	26Foot2Inch
Outreach	1m	3Foot4Inch	1m	3Foot4Inch
Lifting capacity	350kg	771Pound	230kg	507Pound
Lifting capacity (Extended platform)	120kg	264Pound	120kg	264Pound
Weight (kg) ANSI / CSA Standard	1690kg	3725Pound	1763kg	3886Pound
	CE/AUS Standard	1830kg	4034.Pound	1960kg
Platform size L	2.25m	7Foot5Inch	2.25m	7Foot5Inch
Platform size W	0.8m	2Foot7Inch	0.8m	2Foot7Inch
Platform size H	1.1m	3Foot7Inch	1.1m	3Foot7Inch
The length of platform extended	3.2m	10Foot6Inch	3.2m	10Foot6Inch
Skirting board height	0.15m	6Inch	0.15m	6Inch
Stowed size (L×W)	2.42m×0.8m	7Foot11Inch*2Foot	2.42m×0.8m	7Foot11Inch*2Foot
Stowed height	2.2m	7Foot2Inch	2.3m	7Foot6Inch
Width of the machine with platform folded	1.55m	5Foot1Inch	1.55m	5Foot1Inch
Wheel base	1.85m	6Foot1Inch	1.85m	6Foot1Inch
Length of the machine with platform extended	3.4m	11Foot2Inch	3.4m	11Foot2Inch
Hydraulic tank capacity (L)	15		15	
Gradeability	30%		30%	
Ground clearance	0.1m	4Inch	0.1m	4Inch
Pothole protection board	0.019m	1Inch	0.019m	1Inch
Inside rotation radius	0	0	0	0
Outside turning radius	2.12m	6Foot11Inch	2.12m	6Foot11Inch
Load number max	3		3	
Raised time/Lowering time(s)	30/33		30/39	
Traction speed	3.4km/h	2.1Mi le/Hour	3.4km/h	2.1Mi le/Hour
Safe speed	0.7km/h	0.43Mi le/Hour	0.7km/h	0.43Mi le/Hour
Vertical tilt°	3		3	
Lateral tilt°	2		2	
Power source	4×6V; 225Ah		4×6V; 225Ah	
Tire size	Metric system: 356×114×254mm Inch: 1Foot2Inch*5Inch*10Inch			



XE-MINI 系列SERIES

自行式电动剪叉型高空作业平台

ELECTRIC SELF-PROPELLED SCISSOR LIFT

Standard Features

- Proportional controls
- Self-lock gate on platform
- Extended platform
- Drivable at full height
- Non marking tyre
- 4×2WD
- Explosion-proof of the tubing
- Automatic brake system
- Emergency lowering system
- Emergency stop button
- Tilt sensor with alarm
- All motion alarm
- Horn
- Hour meter
- Safety brackets
- Forklift pockets
- Charger protection
- Flashing beacon

Option Features

- Overload sensor with alarm
- AC power to platform



美通重工有限公司

Mantall Heavy Industry Co.,Ltd

公司地址：中国江苏省启东市滨海工业园滨海大道62号 邮编/PC：226236

ADD: No.62,Binhai Avenue,Binhai Industry Park,Qidong City,Jiangsu Province,China

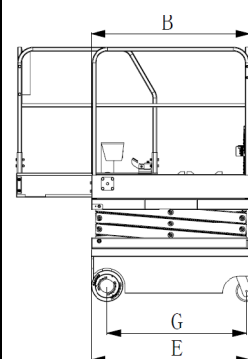
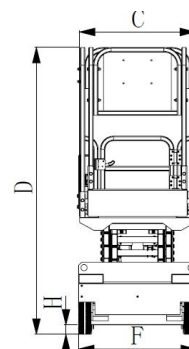
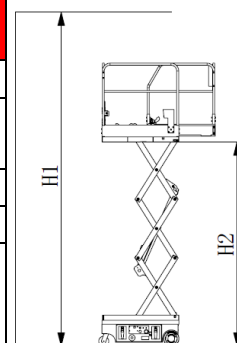
电话/Tel: +86-513-83830000 83696888

传真/Fax: +86-513-83905178

E-mail:sales@mantall.com

网址/Web:www.mantall.com

Models	XE50MINI /ED		XE60MINI /ED		XE80MINI /ED	
	Metric system	Inch	Metric system	Inch	Metric system	Inch
Working height max	5m	16Foot5Inch	6m	19Foot8Inch	8m	26Foot2Inch
Platform height	3m	9Foot10Inch	4m	13Foot1Inch	6m	19Foot8Inch
Outreach max	0.55m	1Foot10Inch	0.55m	1Foot10Inch	0.9m	3Foot
Lifting capacity	240kg	529Pound	240kg	529Pound	200kg	441Pound
Lifting capacity (Extended platform)	100kg	220Pound	100kg	220Pound	100kg	220Pound
Weight	550kg	1212Pound	615kg	1355Pound	900kg	1984Pound
Platform size L	1.15m	3Foot10Inch	1.15m	3Foot10Inch	1.7m	5Foot7Inch
Platform size W	0.76m	2Foot6Inch	0.76m	2Foot6Inch	0.76m	2Foot6Inch
Platform size H	1.1m	3Foot7Inch	1.1m	3Foot7Inch	1.1m	3Foot7Inch
The length of platform extended	1.7m	5Foot7Inch	1.7m	5Foot7Inch	2.6m	8Foot6Inch
Skirting board	0.15m	6Inch	0.15m	6Inch	0.15m	6Inch
Stowed size(L×W)	Metric system: 1.15mX0.76m Inch: 3Foot10Inch*2Foot4Inch				1.7mX0.76m	5Foot7Inch* 2Foot6Inch
Stowed height	1.8m	5Foot11Inch	1.9m	6Foot2Inch	1.94m	6Foot5Inch
Length of the machine with platform	1.7m	5Foot7Inch	1.7m	5Foot7Inch	2.6m	8Foot6Inch
Hydraulic tank capacity(L)	2		2		4	
Gradeability	25%		25%		25%	
Wheel base	1m	3Foot4Inch	1m	3Foot4Inch	1.56	5Foot1Inch
Ground clearance	0.06m	2Inch	0.06m	2Inch	0.06	2Inch
Inside rotation	0m	0	0m	0	0	0
Load number max	2		2		2	
Raised time/Lowering time(s)	28/24		35/31		40/36	
Travel speed	3km/h	1.86Mile/Hour	3km/h	1.86Mile/Hour	3km/h	1.86Mile/Hour
Safe speed	0.8km/h	0.5Mile/Hour	0.8km/h	0.5Mile/Hour	0.8km/h	0.5Mile/Hour
Vertical tilt°	2		2		2	
Lateral tilt°	1		1		1	
Power source	24V/95AH		24V/95AH		24V 150AH	
Tire size	Solid tire230mm	Solid tire0.75Foot	Solid tire230mm	Solid tire0.75Foot	Solid tire230mm	Solid tire0.75Foot



XEM-MINI 系列SERIES

电动剪叉型高空作业平台

ELECTRIC SCISSOR LIFT

Standard Features

- Free-standing operation,with rechargeable 12V battery power
- Minimum 200 operating cycles at rated loading
- Quick and smooth ascent or descent
- Ergonomic platform with non-slip floor and secure gating
- Dual control points including emergency stops
- Spiral cable connection to the platform control unit
- Compact 1.2m*0.7m footprint
- Non-marking wheels,all 4 with brakes including 2 for steering
- Prominent decals promoting responsible use
- Audible descend and tilt alerts
- Forklift pockets and tool box
- Safety bars for maintenance
- Emergency down valve

Option Features

- Non-standard platform size
- Outrigger-supported chassis



美通重工有限公司

Mantall Heavy Industry Co.,Ltd

公司地址: 中国江苏省启东市滨海工业园滨海大道62号 邮编/PC: 226236

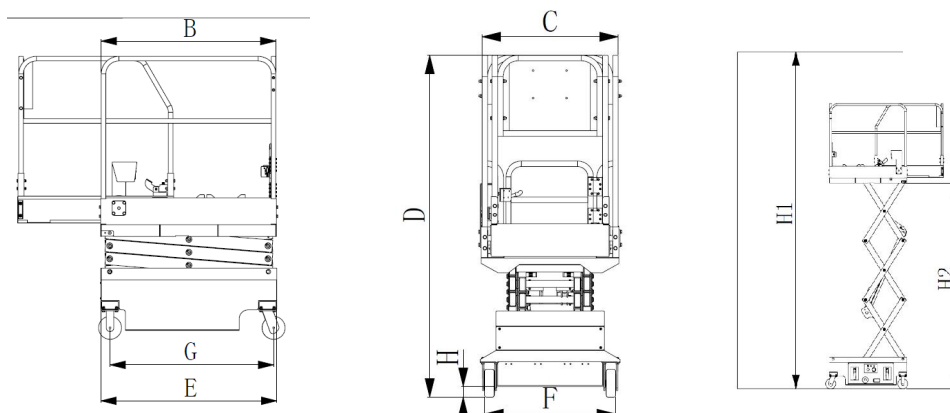
ADD: No.62,Binhai Avenue,Binhai Industry Park,Qidong City,Jiangsu Province,China

电话/Tel: +86-513-83830000 83696888

传真/Fax: +86-513-83905178

E-mail:sales@mantall.com

网址/Web:www.mantall.com



Models	XEM45MINI		XEM50MINI	
	Metric system	Inch	Metric system	Inch
Working height max	4.5m	14Foot10Inch	5m	16Foot5Inch
Platform height max	2.5m	8Foot2Inch	3m	9Foot10Inch
Lifting capacity	240kg	529Pound	240kg	529Pound
Weight	315kg	694Pound	350kg	771Pound
Platform size L	1.15m	3Foot10Inch	1.15m	3Foot10Inch
Platform size W	0.76m	2Foot6Inch	0.76m	2Foot6Inch
Platform size H	1.1m	3Foot7Inch	1.1m	3Foot7Inch
Skirting board height	0.15m	6Inch	0.15m	6Inch
Stowed size(L×W)	1.15m×0.7m	3Foot10Inch*2Foot4Inch	1.15m×0.7m	3Foot10Inch*2Foot4Inch
Stowed height	1.68m	5Foot6Inch	1.73m	5Foot6Inch
Hydraulic tank capacity(L)	2		2	
Wheelbase	1m	3Foot4Inch	1m	3Foot4Inch
Ground clearance	0.06m	2Inch	0.06m	2Inch
Vertical tilt°	2		2	
Lateral tilt°	1		1	
Load number max	2		2	
Raised time/Lowering time(s)	24/20		29/25	
Power source	12V/95AH		12V/95AH	
Tire size	Non-marking wheels 150mm	Non-marking wheels 6Inch	Non-marking wheels 150mm	Non-marking wheels 6Inch

XE-W 系列SERIES

自行式电动剪叉型高空作业平台

ELECTRIC SELF-PROPELLED SCISSOR LIFT

Standard Features

- XE-W series working height is 8m(about 26 feet) and 14m(about 46 feet)
- The platform can outreach 1m
- XE-W series can be easily passed double standard door
- Large lift capacity, min. lift capacity is 350 kg, max. lift capacity is 550kg
- Proportional controls for lift and drive functions
- Automatic 25 amp battery charger provides strong power for vehicle
- Safe distance protection when the platform lowering down. (CE)
- Manual Emergency platform lowering valve, when there is no power, the machine can be safety lower down
- Emergency stop at both platform and ground controls
- Drive speed interlock limits speed while elevated
- Multiple disc brakes provide smooth deceleration
- When there is no power, manual brake release function can move the machines under the circumstances when there is no other forklift, lifting equipment and so on
- Pothole guards protect the machine don't tilting down when the machine moved on the raised position
- Non-marking tires
- AC wiring to platform
- Tilt level sensor with an audible alarm
- Beeper horn
- Hour meter
- Safety brackets
- Battery charge indicator
- Forklift pockets
- Diagnosis system
- Extended platform

Option Features

- Platform revolving door
- Air pipe to the platform
- Power outlet channel platform
- Platform working light
- Maintenance-free battery
- Safety devices against overloading
- Flashing warning lights
- Motorcar horn
- Collision Avoidance System
- Head protection automatic stop system



美通重工有限公司

Mantall Heavy Industry Co.,Ltd

公司地址: 中国江苏省启东市滨海工业园滨海大道62号 邮编/PC: 226236

ADD: No.62,Binhai Avenue,Binhai Industry Park,Qidong City,Jiangsu Province,China

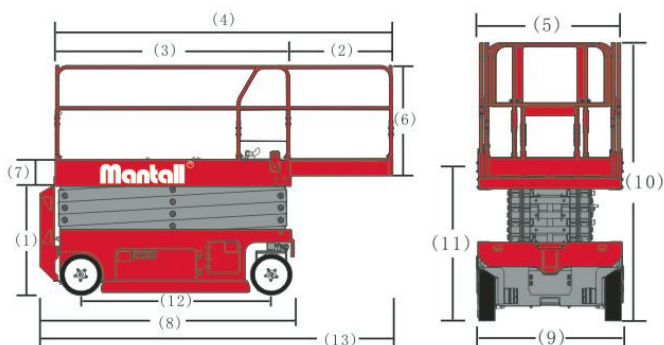
电话/Tel: +86-513-83830000 83696888

传真/Fax: +86-513-83905178

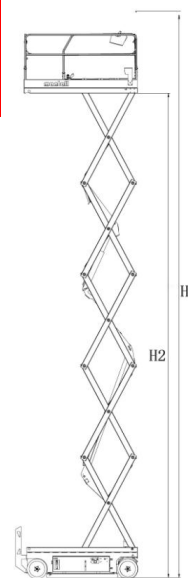
E-mail:sales@mantall.com

网址/Web:www.mantall.com

ELECTRIC SELF-PROPELLED SCISSOR LIFT

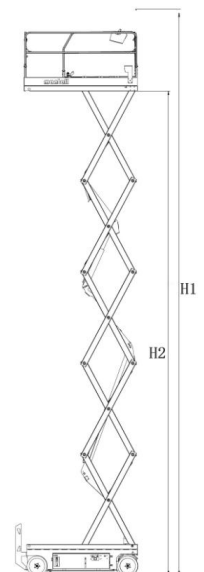
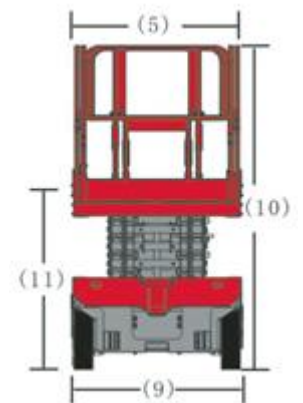
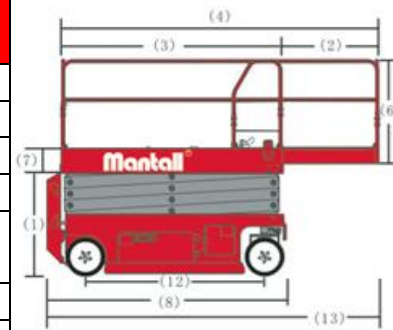


Model s	XE80W		XE100W		XE120W		
	Metric system	Inch	Metric system	Inch	Metric system	Inch	
Working height max	8m	26Foot2Inch	10m	32Foot10Inch	12m	39Foot5Inch	
Platform height max	6m	19Foot8Inch	8m	26Foot2Inch	10m	32Foot10Inch	
Outreach	1m	3Foot4Inch	1m	3Foot4Inch	1m	3Foot4Inch	
Lifting capacity	550kg	1212Pound	450kg	992Pound	350kg	771Pound	
Lifting capacity (Extended platform)	120kg	264Pound	120kg	264Pound	120kg	264Pound	
Weight	ANSI/CSA Standard	1800kg	3968Pound	1960kg	4321Pound	2370kg	5225Pound
	CE/AUS Standard	1980kg	4365Pound	2264kg	4991Pound	2810kg	6195Pound
Platform size(L×W×H)	Metric system: 2.25m×1.15m×1.1m Inch: 7Foot5Inch×3Foot10Inch×3Foot7Inch						
The length of platform extended	3.2m	10Foot6Inch	3.3m	10Foot10Inch	3.3m	10Foot10Inch	
Skirting board height	0.15m	6Inch	0.15m	6Inch	0.176m	7Inch	
Stowed size(L×W)	Metric system: 2.42m×1.2m Inch: 7Foot11Inch*3Foot11Inch						
Stowed height	2.12m	7Foot	2.25m	7Foot5Inch	2.38m	7Foot10Inch	
Width of the machine with platform folded	1.55m	5Foot1Inch	1.76m	5Foot10Inch	1.9m	6Foot2Inch	
Wheelbase	1.85m	6Foot1Inch	1.85m	6Foot1Inch	1.85m	6Foot1Inch	
Length of the machine with platform extended	3.4m	11Foot2Inch	3.42m	11Foot2Inch	3.42m	11Foot2Inch	
Hydraulic tank capacity(L)	15		15		25		
Gradeability	30%		30%		25%		
Ground clearance	0.1m	4Inch	0.1m	4Inch	0.1m	4Inch	
Pothole protection board ground clearance(down)	0.019m	1Inch	0.019m	1Inch	0.019m	1Inch	
Inside rotation radius	0	0.0	0	0.0	0	0.0	
Outside turning radius	2.3m	7Foot6Inch	2.3m	7Foot6Inch	2.3m	7Foot6Inch	
Load number max	3		3		3		
Raised time/Lowering time(s)	32/35		45/42		65/52		
Traction speed	3.4km/h	2.1Mi le/Hour	3.4km/h	2.1Mi le/Hour	3.4km/h	2.1Mi le/Hour	
Safe speed	0.7km/h	0.43Mi le/Hour	0.7km/h	0.43Mi le/Hour	0.7km/h	0.43Mi le/Hour	
Vertical tilt°	3		3		3		
Lateral tilt°	2		2		2		
Power source	4×6V; 225Ah						
Tire size	406mm×127mm×318mm/1Foot4Inch*5Inch*1Foot						



ELECTRIC SELF-PROPELLED SCISSOR LIFT

Model s	XE140W		XE160W	
	Metric system	Inch	Metric system	Inch
Working height max	14m	45Foot11Inch	16m	52Foot6Inch
Platform height max	12m	39Foot5Inch	14m	45Foot11Inch
Outreach	1m	3Foot4Inch	1m	3Foot4Inch
Lifting capacity	350kg	771Pound	230kg	507Pound
Lifting capacity	120kg	264Pound	100kg	220Pound
Weight	ANSI/CSA Standard	2690kg	5930Pound	
	CE/AUS Standard	3081kg	6792Pound	3300kg
Platform size(L×W×H)	Metric system: 2.25m×1.15m×1.1m			
The length of platform	3.3m	10Foot10Inch	3.3m	10Foot10Inch
Skirting board height	0.176m	7Inch	0.176m	7Inch
Stowed size(L×W)	Metric system: 2.42m×1.2m Inch: 7Foot11Inch*3Foot11Inch			
Stowed height	2.5m	8Foot2Inch	2.6m	8Foot6Inch
Width of the machine with	2m	6Foot7Inch	2m	6Foot7Inch
Wheel base	1.85m	6Foot1Inch	1.85m	6Foot1Inch
Length of the machine with	3.42m	11Foot2Inch	3.42m	11Foot2Inch
Hydraulic tank capacity(L)	25		25	
Gradeability	23%		20%	
Ground clearance	0.1m	4Inch	0.1m	4Inch
Pothole protection board ground clearance(down)	0.019m	1Inch	0.019m	1Inch
Inside rotation radius	0	0.0	0	0.0
Outside turning radius	2.3m	7Foot6Inch	2.3m	7Foot6Inch
Load number max	3		3	
Raised time/Lowering time(s)	68/55		80.2/85.1	
Traction speed	3.4km/h	2.1Mile/Hour	3.4km/h	2.1Mile/Hour
Safe speed	0.7km/h	0.43Mile/Hour	0.7km/h	0.43Mile/Hour
Vertical tilt°	3		3	
Lateral tilt°	2		2	
Power source	4×6V; 225Ah			
Tire size	Metric system: 406mm×127mm×318mm Inch: 1Foot4Inch*5Inch*1Foot			



XD系列SERIES

自行式越野剪叉型高空作业平台

SELF-PROPELLED ROUGH TERRAIN SCISSOR LIFT

Standard Features

- Foldable guardrail
- Diagnosis system
- AC wiring to platform
- 4 wheel drive
- Tilt level sensor with an audible alarm
- Lowering alarm
- Horn
- Hour meter
- Emergency pump
- Proportional controls
- Solid rough tire
- Safety brackets

Option Features

- Automatic leveling hydraulic outriggers
- Air line to platform
- DC power supply
- Motor cold starting components
- Overload sensor
- Dual flashing beacon
- Moveable alarm components
- Non-mark rough tire



美通重工有限公司

Mantall Heavy Industry Co.,Ltd

公司地址: 中国江苏省启东市滨海工业园滨海大道62号 邮编/PC: 226236

ADD: No.62,Binhai Avenue,Binhai Industry Park,Qidong City,Jiangsu Province,China

电话/Tel: +86-513-83830000 83696888

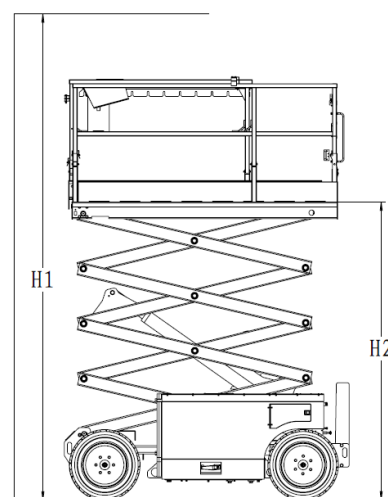
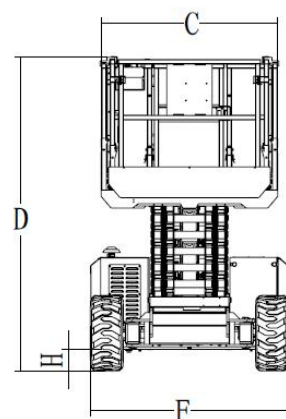
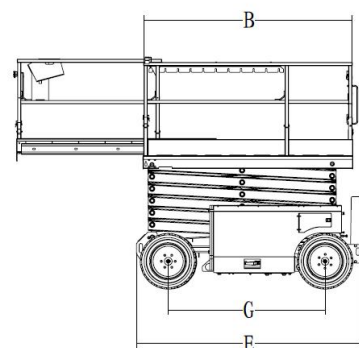
传真/Fax: +86-513-83905178

E-mail:sales@mantall.com

网址/Web:www.mantall.com

SELF-PROPELLED ROUGH TERRAIN SCISSOR LIFT

Model s	XD100RT	
	Metric system	Inch
Working height max	10m	32Foot10Inch
Platform height max	8m	26Foot2Inch
(1) Platform height min	1.2m	3Foot11Inch
(2) Outreach	1.5m	4Foot11Inch
Lifting capacity	567kg	1250Pound
Lifting capacity (Extended platform)	136kg	300Pound
Platform size		
(3) Lateral length	2.5m	8Foot2Inch
(4) Extended length	4m	13Foot1Inch
(5) Lateral width	1.55m	5Foot1Inch
(6) Fence height	1.15m	3Foot10Inch
(7) Skirting board height	0.15m	6Inch
Stowed size		
(8) Stowed length	2.66m	8Foot8Inch
(9) Width	1.73m	5Foot8Inch
(10) Height	2.32m	7Foot7Inch
(11) Folded height	1.7m	5Foot7Inch
(12) Wheel base	1.85m	6Foot1Inch
Ground clearance	0.19m	7Inch
Turn diameter(inside)	1.52m	5Foot
Turn diameter(outside)	3.68m	12Foot1Inch
Load number max	3	
Raised time(s)	30	
Lowering time(s)	35	
Traction speed	6km/h	3.7Mile/Hour
Safe speed	0.8km/h	0.5Mile/Hour
Vertical tilt°	3	
Lateral tilt°	2	
Control	Proportional control	
Drive	4WD	
Weight	2895kg	6382Pound
Weight(with outriggers)	3195kg	7043Pound
Power source	Kubota D905	
Hydraulic tank capacity(L)	62.5	
Feul tank capacity(L)	56.8	
Gradeability	35%	
*Outrigger level ability max°		
Front to rear	6.6	
Left to right	10.6	
Tire size	Solid Tire 300mm*600mm	11Inch*1Foot11Inch



SELF-PROPELLED ROUGH TERRAIN SCISSOR LIFT

Model s	XD120RT		XD140RT	
	Metric system	Inch	Metric system	Inch
Working height max	12m	39Foot5Inch	14m	45Foot11Inch
Platform height max	10m	32Foot10Inch	12m	39Foot5Inch
(1) Platform height min	1.3m	4Foot4Inch	1.3m	4Foot4Inch
(2) Outreach	1.5m	4Foot11Inch	1.5m	4Foot11Inch
Lifting capacity	454kg	1000Pound	345kg	760Pound
Lifting capacity (Extended platform)	136kg	300Pound	136kg	300Pound
Platform size				
(3) Lateral length	2.5m	8Foot2Inch	2.5m	8Foot2Inch
(4) Extended length	4m	13Foot1Inch	4m	13Foot1Inch
(5) Lateral width	1.55m	5Foot1Inch	1.55m	5Foot1Inch
(6) Fence height	1.15m	3Foot10Inch	1.15m	3Foot10Inch
(7) Skirting board height	0.15m	6Inch	0.15m	6Inch
Stowed size				
(8) Stowed length	2.66m	8Foot8Inch	2.66m	8Foot8Inch
(9) Width	1.73m	5Foot8Inch	1.73m	5Foot8Inch
(10) Height	2.45m	8Foot	2.58m	8Foot6Inch
(11) Folded height	1.83m	8Foot	1.95m	6Foot5Inch
(12) Wheel base	1.85m	6Foot1Inch	1.85m	6Foot1Inch
Ground clearance	0.19m	7Inch	0.19m	7Inch
Turn diameter(inside)	1.52m	5Foot	1.52m	5Foot
Turn diameter(outside)	3.68m	12Foot1Inch	3.68m	12Foot1Inch
Load number max	3		3	
Raised time(s)	40		50	
Lowering time(s)	37		39	
Traction speed	6km/h	3.7Mi le/Hour	6km/h	3.7Mi le/Hour
Safe speed	0.8km/h	0.5Mi le/Hour	0.8km/h	0.5Mi le/Hour
Vertical tilt°	3		3	
Lateral tilt°	2		2	
Control	Proportional control			
Drive	4WD		4WD	
Weight	3630kg	8002Pound	4200kg	9259Pound
Weight(with outriggers)	3930kg	8664Pound	4500kg	9920Pound
Power source	Kubota D905		Kubota D905	
Hydraulic tank capacity(L)	62.5		62.5	
Fuel tank capacity(L)	56.8		56.8	
Gradeability	30%		30%	
*Outrigger level ability max°				
Front to rear	6.6		6.6	
Left to right	10.6		10.6	
Tire size	Solid Tire 300mm*600mm	11Inch*1Foot11Inch	Solid Tire 300mm*600mm	11Inch*1Foot11Inch

XDW系列SERIES

自行式越野剪叉型高空作业平台

SELF-PROPELLED ROUGH TERRAIN SCISSOR LIFT

Standard Features

- Foldable guardrail
- Diagnosis system
- AC wiring to platform
- 4 wheel drive
- Tilt level sensor with an audible alarm
- Lowering alarm
- Horn
- Hour meter
- Emergency pump
- Proportional controls
- Solid rough tire
- Safety brackets
- Automatic leveling hydraulic outriggers (only XDW180RT)

Option Features

- Air line to platform
- Double sliding platform (1.2m)
- DC power supply
- Motor cold starting components
- Overload sensor
- Swing axle (XDW150RT/XDW180RT)
- Dual flashing beacon
- Moveable alarm components
- Non-mark rough tire



美通重工有限公司

Mantall Heavy Industry Co.,Ltd

公司地址: 中国江苏省启东市滨海工业园滨海大道62号 邮编/PC: 226236

ADD: No.62,Binhai Avenue,Binhai Industry Park,Qidong City,Jiangsu Province,China

电话/Tel: +86-513-83830000 83696888

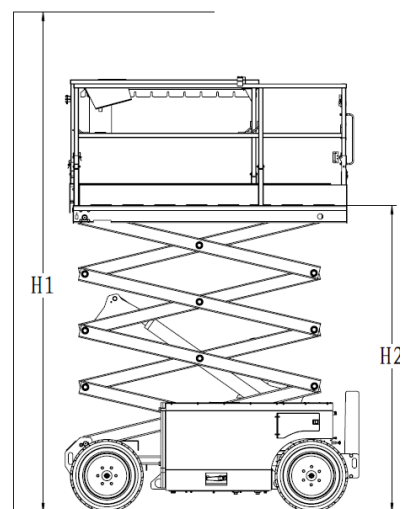
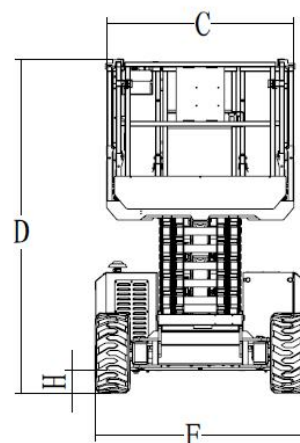
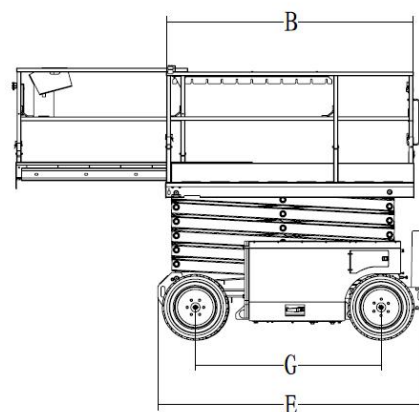
传真/Fax: +86-513-83905178

E-mail:sales@mantall.com

网址/Web:www.mantall.com

SELF-PROPELLED ROUGH TERRAIN SCISSOR LIFT

Model	XDW120RT	
	Metric system	Inch
Working height max	12m	39.4Foot
Platform height max	10m	32.8Foot
Outreach(Front)	1.5m	4Foot11Inch
Outreach(Rear)	1.2m	3Foot11Inch
Li ft capacity	1140kg	2513Pound
Li ft capacity (Extended platform)	230kg	507Pound
Platform size		
Lateral length	3.9m	12Foot10Inch
Extended length (single extended platform)	5.4m	17Foot8Inch
Extended length (double extended platform)	6.6m	21Foot8Inch
Lateral width	1.8m	5Foot11Inch
Fence height	1.15m	3Foot10Inch
Skirting board height	0.15m	6Inch
Stowed size		
Stowed length (single extended platform)	3.95m	12Foot11Inch
Stowed length (double extended platform)	4m	13Foot1Inch
Stowed length(wi th outriggers)	4.9m	16Foot1Inch
Wi dth	2.3m	7Foot7Inch
Height	2.71m	8Foot11Inch
Folded height	2.03m	6Foot8Inch
Wheel base	2.8m	9Foot2Inch
Ground clearance	0.36m	1Foot2Inch
Turn diameter(Inside)	2.16m	7Foot1Inch
Turn diameter(Outside)	5.33m	17Foot6Inch
Raised time(s)	45	
Lowering time(s)	29	
Tracti on speed	8km/h	5Mi le/Hour
Safe speed	1.1km/h	0.68Mi le/Hour
Drive height	All height	
Control	Proportional controls	
Drive	4 WD	
Weight	5500kg	12125Pound
Power source	Diesel	
Hydraulic tank capacity(L)	115	
Feul tank capaci ty(L)	115	
Gradeability	50%	
Outrigger level ability max		
Front to Rear	7	
Left to Right	11	
Ti re size	Solid tire 300mm×840mm	11Inch*2Foot10Inch



SELF-PROPELLED ROUGH TERRAIN SCISSOR LIFT

Model	XDW150RT		XDW180RT	
	Metric system	Inch	Metric system	Inch
Working height max	15m	49Foot2Inch	18m	59Foot1Inch
Platform height max	13m	42Foot8Inch	16m	52Foot6Inch
Outreach(Front)	1.5m	4Foot11Inch	1.5m	4Foot11Inch
Outreach(Rear)	1.2m	3Foot11Inch	1.2m	3Foot11Inch
Lift capacity	680kg	1499Pound	680kg	1499Pound
Lift capacity (Extended platform)	230kg	507Pound	230kg	507Pound
Platform size				
Lateral length	3.9m	12Foot10Inch	3.9m	12Foot10Inch
Extended length (single extended platform)	5.4m	17Foot8Inch	5.4m	17Foot8Inch
Extended length (double extended platform)	6.6m	21Foot8Inch	6.6m	21Foot8Inch
Lateral width	1.8m	5Foot11Inch	1.8m	5Foot11Inch
Fence height	1.15m	3Foot10Inch	1.15m	3Foot10Inch
Skirting board height	0.15m	6Inch	0.15m	6Inch
Stowed size				
Stowed length(single extended platform)	3.95m	12Foot11Inch	— —	— —
Stowed length(double extended platform)	4m	13Foot1Inch	— —	— —
Stowed length(with outriggers)	4.9m	16Foot1Inch	4.9m	16Foot1Inch
Width	2.29m	7Foot7Inch	2.29m	7Foot7Inch
Height	2.93m	9Foot7Inch	3.15m	10Foot4Inch
Folded height	2.25m	7Foot5Inch	2.47m	8Foot1Inch
Wheel base	2.8m	9Foot2Inch	2.8m	9Foot2Inch
Ground clearance	0.36m	1Foot2Inch	0.36m	1Foot2Inch
Turn diameter(Inside)	2.16m	7Foot1Inch	2.16m	7Foot1Inch
Turn diameter(Outside)	5.33m	17Foot6Inch	5.33m	17Foot6Inch
Raised time(s)	45		55	
Lowering time(s)	39		49	
Traction speed	8km/h	5Mi le/Hour	8km/h	5Mi le/Hour
Safe speed	1.1km/h	0.68Mi le/Hour	1.1km/h	0.68Mi le/Hour
Drive height	All height		9m	29Foot6Inch
Control	Proportional controls		Proportional controls	
Drive	4 WD		4 WD	
Weight	5950kg	13117Pound	7600kg	16755Pound
Power source	Di esel		Di esel	
Hydraulic tank capacity(L)	115		115	
Fuel tank capacity(L)	115		115	
Gradeability	50%		40%	
Outrigger level ability max				
Front to Rear	7		7	
Left to Right	11		11	
Tire size	Solid tire 300mm × 840mm	11Inch*2Foot10Inch	Solid tire 300mm × 840mm	11Inch*2Foot10Inch

XEA系列SERIES

辅驱自走式剪叉型高空作业平台

AUXILIARY DRIVE SCISSOR LIFT

Standard Features

- Electric Self-propelled, can operate by one person for drive and work in high position
- Hydraulic line rupture protection device
- Screw support leveling device
- Emergency stop button
- Emergency lower valve when there is no power
- Overload safety protection device
- Rain-proof control box
- Automatically battery charger

Option Features

- Extended Platform(6-12m)



美通重工有限公司

Mantall Heavy Industry Co.,Ltd

公司地址: 中国江苏省启东市滨海工业园滨海大道62号 邮编/PC: 226236

ADD: No.62,Binhai Avenue,Binhai Industry Park,Qidong City,Jiangsu Province,China

电话/Tel: +86-513-83830000 83696888

传真/Fax: +86-513-83905178

E-mail:sales@mantall.com

网址/Web:www.mantall.com

AUXILIARY DRIVE SCISSOR LIFT

Model	XE-A50S		XE-A80S		XE-A95S	
	Metric system	Inch	Metric system	Inch	Metric system	Inch
Working height max	5m	16Foot5Inch	8m	26Foot2Inch	9.5m	31Foot2Inch
Platform height max	3m	9Foot10Inch	6m	19Foot8Inch	7.5m	24Foot7Inch
Lift capacity	450kg	992Pound	450kg	992Pound	450kg	992Pound
Platform size	1300mm*700mm	4Foot4Inch* 2Foot4Inch	1850mm*880mm	6Foot11Inch* 2Foot11Inch	1800mm*1000mm	5Foot11Inch* 3Foot4Inch
Stowed size L	1350mm	4Foot5Inch	1900mm	6Foot2Inch	1850mm	6Foot
Stowed size W	940mm	3Foot1Inch	1120mm	3Foot8Inch	1240mm	4Foot1Inch
Stowed size H	800mm	2Foot7Inch	750mm	2Foot6Inch	1500mm	4Foot11Inch
Raised time(s)	30		54		72	
Traction speed	0-16.7m/s	0-54Foot10Inch	0-16.8m/s	0-54Foot10Inch	0-16.8m/s	0-54Foot10Inch
Power source	DC-24V		DC-24V		DC-24V	
Lifting motor power(kw)	2.2		2.2		2.2	
Driving motor power(kw)	0.75		0.75		0.75	
Weight	540kg	1190Pound	740kg	1631Pound	950kg	2094Pound

Model	XE-A110S		XE-A130S		XE-A140S	
	Metric system	Inch	Metric system	Inch	Metric system	Inch
Working height max	11m	36Foot	13m	42Foot8Inch	14m	45Foot11Inch
Platform height max	9m	29Foot6Inch	11m	36Foot	12m	39Foot5Inch
Lift capacity	450kg	992Pound	450kg	992Pound	450kg	992Pound
Platform size	1800mm*1000mm	5Foot11Inch* 3Foot4Inch	2100mm*1150mm	6Foot11Inch* 3Foot10Inch	2450mm*1350mm	8Foot* 4Foot5Inch
Stowed size L	1850mm	6Foot	2150mm	7Foot	2150mm	7Foot
Stowed size W	1240mm	4Foot1Inch	1390mm	4Foot7Inch	1590mm	5Foot2Inch
Stowed size H	1650mm	11Foot10Inch	1850mm	6Foot	1850mm	6Foot
Raised time(s)	80		88		90	
Traction speed	0-16.8m/s	0-54Foot10Inch	0-16.8m/s	0-54Foot10Inch	0-16.8m/s	0-54Foot10Inch
Power source	DC-24V		DC-24V		DC-24V	
Lifting motor power(kw)	2.2		3		3	
Driving motor power(kw)	0.75		0.75		0.75	
Weight	1260kg	2777Pound	1480kg	3262Pound	2000kg	4409Pound

AUXILIARY DRIVE SCISSOR LIFT

Model	XE-A160S		XE-A180S		XE-A80H	
	Metric system	Inch	Metric system	Inch	Metric system	Inch
Working height max	16m	52Foot6Inch	18m	59Foot1Inch	8m	26Foot2Inch
Platform height max	14m	45Foot11Inch	16m	52Foot6Inch	6m	19Foot8Inch
Lift capacity	450kg	992Pound	300kg	661Pound	1000kg	2204Pound
Platform size	2450mm*1350mm	8Foot*4Foot5Inch	2700mm*1500mm	8Foot11Inch*4Foot11Inch	1800mm*1000mm	5Foot11Inch*3Foot4Inch
Stowed size L	2500mm	8Foot2Inch	2750mm	9Foot	1850mm	6Foot
Stowed size W	1590mm	5Foot2Inch	1740mm	5Foot8Inch	1240mm	4Foot1Inch
Stowed size H	2000mm	6Foot7Inch	2000mm	6Foot7Inch	1110mm	3Foot7Inch
Raised time(s)	120		130		80	
Traction speed	0-16.8m/s	0-54Foot10Inch	0-16.8m/s	0-54Foot10Inch	0-16.8m/s	0-54Foot10Inch
Power source	DC-24V		DC-24V		DC-24V	
Lifting motor	2.2*2		2.2*2		3	
Driving motor	1.2		1.2		0.75	
Weight	2180kg	4806Pound	2900kg	6393Pound	960kg	2116Pound

Model	XE-A110H		XE-A140H	
	Metric system	Inch	Metric system	Inch
Working height max	11m	36Foot	14m	45Foot11Inch
Platform height max	9m	29Foot6Inch	12m	39Foot5Inch
Lift capacity	1000kg	2204Pound	1000kg	2204Pound
Platform size	1800mm*1250mm	5Foot11Inch*4Foot1Inch	2450mm*1350mm	8Foot*4Foot5Inch
Stowed size L	1850mm	6Foot	2500mm	8Foot2Inch
Stowed size W	1490mm	4Foot11Inch	1590mm	5Foot2Inch
Stowed size H	1650mm	11Foot10Inch	1850mm	6Foot1Inch
Raised time(s)	108		128	
Traction speed	0-16.8m/s	0-54Foot10Inch	0-16.8m/s	0-54Foot10Inch
Power source	DC-24V		DC-24V	
Lifting motor power(kw)	3		2.2*2	
Driving motor power(kw)	1.2		1.2	
Weight	1850kg	4078Pound	2260kg	4982Pound

XEM系列SERIES

手推式电动剪叉型高空作业平台

ELECTRIC PUSH MOBILE SCISSOR LIFT

Standard Features

- Emergency lower valve when there is no power
- Overload safety protection device
- Rain-proof control box
- Hydraulic oil pipes broken safety protection device
- Screw support leveling device
- Emergency stop button

Option Features

- Power: AC220V(6-11m), DC24V/48V, Manual hydraulic power
- Explosion-proof electric control system
- Extended platform
- Hydraulic system import from Italy
- Rubber solid tires



美通重工有限公司

Mantall Heavy Industry Co.,Ltd

公司地址: 中国江苏省启东市滨海工业园滨海大道62号 邮编/PC: 226236

ADD: No.62,Binhai Avenue,Binhai Industry Park,Qidong City,Jiangsu Province,China

电话/Tel: +86-513-83830000 83696888

传真/Fax: +86-513-83905178

E-mail:sales@mantall.com

网址/Web:www.mantall.com

ELECTRIC PUSH MOBILE SCISSOR LIFT

Model	XE-M50S		XE-M80S		XE-M95S	
	Metric system	Inch	Metric system	Inch	Metric system	Inch
Working height max	5m	16Foot5Inch	8m	26Foot2Inch	9.45m	31Foot
Platform height max	3m	9Foot10Inch	6m	19Foot8Inch	7.45m	24Foot5Inch
Lift capacity	450kg	992Pound	450kg	992Pound	450kg	992Pound
Platform size	1300mm*700mm	4Foot4Inch* 2Foot4Inch	1850mm*880mm	6Foot1Inch* 2Foot11Inch	1800mm*1000mm	5Foot11Inch* 3Foot4Inch
Stowed size L	1350mm	4Foot5Inch	1900mm	6Foot2Inch	1850mm	6Foot1Inch
Stowed size W	940mm	3Foot1Inch	1120mm	3Foot8Inch	1240mm	4Foot1Inch
Stowed size H	800mm	2Foot7Inch	750mm	2Foot6Inch	1500mm	4Foot11Inch
Raised time(s)	30		54		72	
Power(kw)	0.75		1.1		1.5	
Power source	AC220V/380V		AC220V/380V		AC220V/380V	
Weight	450kg	992Pound	650kg	1433Pound	1100kg	2425Pound
Tires	Φ250Solid tires		Φ250Solid tires		Φ400-8Pneumatic tires	

Model	XE-M110S		XE-M130S		XE-M140S	
	Metric	Inch	Metric	Inch	Metric	Inch
Working height max	11m	36Foot	13m	42Foot8Inch	14m	45Foot11Inch
Platform height max	9m	29Foot6Inch	11m	36Foot	12m	39Foot5Inch
Lift capacity	450kg	992Pound	450kg	992Pound	450kg	992Pound
Platform size	1800mm*1000mm	5Foot11Inch* 3Foot4Inch	2100mm*1150mm	6Foot11Inch* 3Foot10Inch	2450mm*1350mm	8Foot* 4Foot5Inch
Stowed size L	1850mm	6Foot1Inch	2150mm	7Foot	2150mm	7Foot
Stowed size W	1240mm	4Foot1Inch	1390mm	4Foot7Inch	1590mm	5Foot2Inch
Stowed size H	1650mm	5Foot5Inch	1850mm	6Foot1Inch	1850mm	6Foot1Inch
Raised time(s)	80		88		90	
Power(kw)	1.5		2.2		3	
Power source	AC220V/380V		AC220V/380V		AC220V/380V	
Weight	1260kg	2777Pound	1380kg	3042Pound	1850kg	4078Pound
Tires	Φ400-8Pneumatic		Φ500-8Pneumatic		Φ500-8Pneumatic	

ELECTRIC PUSH MOBILE SCISSOR LIFT

Model	XE-M160S		XE-M180S		XE-M80H	
	Metric system	Inch	Metric system	Inch	Metric system	Inch
Working height max	16m	52Foot6Inch	18m	59Foot1Inch	8m	26Foot2Inch
Platform height max	14m	45Foot11Inch	16m	52Foot6Inch	6m	19Foot8Inch
Lift capacity	450kg	992Pound	300kg	661Pound	1000kg	2204Pound
Platform size	2450mm*1350mm	8Foot*4Foot5Inch	2700mm*1500mm	8Foot11Inch* 4Foot11Inch	1800mm*1000mm	5Foot11Inch* 3Foot4Inch
Stowed size L	2500mm	8Foot2Inch	2750mm	9Foot	1850mm	6Foot1Inch
Stowed size W	1590mm	5Foot2Inch	1740mm	5Foot8Inch	1240mm	4Foot1Inch
Stowed size H	2000mm	6Foot7Inch	2000mm	6Foot7Inch	1110mm	3Foot7Inch
Raised time(s)	120		130		80	
Power(kw)	3		3		2.2	
Power source	AC220V/380V		AC220V/380V		AC220V/380V	
Weight	2150kg	4739Pound	2680kg	5908Pound	950kg	2094Pound
Tires	Φ500-8Pneumatic		Φ500-8Pneumatic		Φ500-8Pneumatic	

Model	XE-M110H		XE-M140H	
	Metric system	Inch	Metric system	Inch
Working height max	11m	36Foot	14m	45Foot11Inch
Platform height max	9m	29Foot6Inch	12m	39Foot5Inch
Lift capacity	1000kg	2204Pound	1000kg	2204Pound
Platform size	1800mm*1250mm	5Foot11Inch*4Foot1Inch	2450mm*1350mm	8Foot*4Foot4Inch
Stowed size L	1850mm	6Foot1Inch	2500mm	8Foot2Inch
Stowed size W	1490mm	4Foot11Inch	1590mm	5Foot2Inch
Stowed size H	1650mm	5Foot5Inch	1850mm	6Foot1Inch
Raised time(s)	108		128	
Power(kw)	3		3	
Power source	AC220V/380V		AC220V/380V	
Weight	1680kg	3703Pound	2100kg	4629Pound
Tires	Φ500-8Pneumatic tires		Φ500-8Pneumatic tires	