

Maxiton

Pallet Truck

AC SERIES

Most popular model



HAND PALLET TRUCK

Model	CBY-AC 2.0	CBY-AC 2.5	CBY-AC3.0
Capacity(kg)	2000	2500	3000
Min.fork height(mm)	65/85/75	65/85/75	65/85/75
Max.fork height(mm)	175/195/185	175/195/185	175/195/185
Lifting height(mm)	110	110	110
Fork length(mm)	1150/1220	1150/1220	1150/1220
Single fork width(mm)	160	160	160
Width overall forks(mm)	520/550/685	520/550/685	520/550/685
Fork wheel-single(mm)	80X93/74X93	80X93/74X93	80X93/74X93
Fork wheel-tandem(mm)	80X70	80X70	80X70
Steering wheel(mm)	180X50	180X50	180X50
Self weight(kg)		73-92	
Qty/20 feet container (pcs)	180/144	180/144	180/144

5.0 SERIES

Model	CBY.5.0T
Capacity(kg)	5000
Max. fork height(mm)	195
Min. fork height(mm)	85
Fork length(mm)	1150/1220
Width overall forks(mm)	550/685
Steering wheel(mm)	φ 180x50
Fork wheel(mm)	φ 80x70
Truck weight(kg)	120/130

Options

Bracket available with channel steel fork or 6mm thick steel palte. Steering and fork wheels available super-strength nylon or steel .



Super - heavy duty hydraulic pump .



ACL SERIES

- Low profile fork frame .
- Quality one-piece cast pump unit .
- Durable powder coat paint finish.
- Ergonomic rubber handle.
- High quality load wheels and rollers.



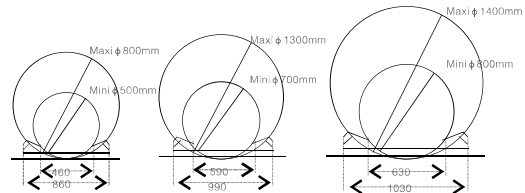
Model	CBY-ACL1.5T	CBY-ACL2.0T	CBY-ACL2.5T	CBY-ACL3.0T
Capacity (Kg)	1500	2000	2500	3000
Max. Fork Height (mm)	175	175	175	175
Min. Fork Height (mm)	52	65	65	65
Fork Length (mm)	1150/1120	1150/1120	1150/1120	1150/1120
Width Overall Fork (mm)	550/685	550/685	550/685	550/685
Steering Wheel (mm)	φ160x50	φ160x50	φ160x50	φ160x50
Fork Wheel (mm)	φ60x70	φ60x70	φ60x70	φ60x70
Truck Wiehgt (Kg)	68-85			

ZT SERIES

Widely used for roll of paper, carpet ,textile or other materials.

PAPER ROLL PALLET TRUCK

Model	CBY.ZT
Capacity(kg)	1000/1500/2000/2500
Diameter of bale(mm)	φ 500-φ 1600
Fork length(mm)	1150/1220
Max. width of fork(mm)	760/850/1000/1150
Steering wheel(mm)	φ 180x50
Fork wheel(mm)	φ 80x70
Weight(kg)	135-175



Tandem load rollers give easy running over uneven floors .

SD SERIES

SUPER-SHORT PALLET TRUCK

Model	CBY.SD2.0T/CBY.SD2.5T
Capacity(kg)	2000/2500
Total lift height(mm)	195
Min. height(mm)	85
Steering wheel(mm)	φ 180x50
Front wheel(mm)	φ 80x70
Total width(mm)	550/685
Fork length(mm)	500/600/700/800/900
Self weight(kg)	65-75

"Super short" hand pallet truck excellently suitable for use on lorries , in small confined space.

LC SERIES

SUPER-LONG HAND PALLET TRUCK

Model	CBY.LC2.0/CBY.LC2.5/CBY.LC3.0
Capacity(kg)	2000/2500/3000
Total lift height(mm)	195
Lowered fork height(mm)	85
Fork length(mm)	1400-2500
Width overall forks(mm)	550/685
Steering wheel(mm)	φ 180x50
Fork wheel(mm)	φ 80x70
Truck weight(kg)	102-175

"Super long & wide" hand pallet truck designed for carrying goods with big volume .



Maxiton

Pallet Truck

HL SERIES



SCISSOR LIFT PALLET TRUCK

	CBY-HL
Capacity(kg)	1000/1500
Fork Width(mm)	550/685
Fork Length(mm)	1150/1220
Min. Fork Height(mm)	85
Max. Fork Height(mm)	800
Steering wheel	Polyurethane/Rubber
Fork wheel(mm)	Nylon/Polyurethane
Truck weight(kg)	125-135

HLS SERIES



STAINLESS HIGH LIFT SCISSOR TRUCK

Model	CBY-HLS
Capacity(kg)	1000
Fork width(mm)	540
Fork length(mm)	1150
Lowered height(mm)	85
Lifting height(mm)	800
Load wheel	Nylon/Polyurethane(mm)
Steering wheel	Nylon/Rubber/Polyurethane(mm)
Weight(kg)	110

EHL SERIES



CBY-EHL-1



CBY-EHL-2

ELECTRIC HIGH LIFT SCISSOR TRUCK

Model	CBY-EHL-1
Rated lifting capacity(kg)	1000
Min./Max.fork height(mm)	85/800
Fork width b(mm)	550/685
Fork length l(mm)	1150/1220
Battery voltage(V)/Electricity volume(A/h)	12/63
Input/output voltage of charger(V)	220~240/12
N.W.(kg)	140/165
Packing size 2PCS(cm)	218x58x71
Q`ty/20`	60/30

EHLS SERIES



STAINLESS ELECTRIC HIGH LIFT SCISSOR TRUCK

Model	CBY-EHLS
Capacity(kg)	1000
Fork width(mm)	540/680
Fork length(mm)	1150
Lowered height(mm)	85
Lifting height(mm)	800
Load wheel	Nylon
Steering wheel	Nylon
Storage battery	12V 63Ah
Weight(kg)	110

Pallet Truck

CW SERIES

Hand Pallet Truck with scale is an excellent economic solution for all weighing requirements in a busy warehouse environments, which allows you to weigh cargo where you want and when you want.

PALLET TRUCK WITH SCALE



Model	CBY.CW
Capacity(kg)	1500/2000/2500/3000
Total lift height(mm)	195
Lowered fork height(mm)	85
Fork length(mm)	1150
Width overall forks(mm)	550/685
Steering wheel(mm)	φ 180x50
Fork wheel(mm)	φ 80x70
Truck weight(kg)	120-130



High definition display

The scale offers gross /net weighing ,total weight , piece counting and tare functions reading in 1 kg increments .



AC 3.5T SERIES HAND PALLET TRUCK

Model	CBY-AC3.5
Capacity(kg)	3500
Min.fork height(mm)	85/75
Max.fork height(mm)	195/185
Lifting height(mm)	110
Fork length(mm)	1150/1220
Single fork width(mm)	160
Width overall forks(mm)	550/685
Fork wheel-single(mm)	80X93/74X93
Fork wheel-tandem(mm)	80X70
Steering wheel(mm)	180X50
Self weight(kg)	73-92
Qty/20 feet container (pcs)	180/144

Pallet Truck

BX & DX SERIES

Stainless Steel and Galvanized Pallet Truck are designed for environments where hygiene is paramount or where the pallet truck will come into contact with corrosive substances such as salt water, acids and various chemicals.



STAINLESS STEEL PALLET TRUCK

4
BX SERIES

Features

- Full stainless steel mainframe.
- Full stainless steel hydraulic pump and handle.
- Full Stainless push rods, axies , pins , bolts & bearings .
- Fully sealed hydraulic pump(i.e. No atmospheric contaminates in hydraulics).

High Quality Pump

The one-piece cast pump design resists the efforts of cold , condensation and washing . And they are fitted with additional grease nipples for easy maintenance and with sealed stainless steel bearings.

DX SERIES

All the exposed parts of the whole truck galvanized including hydraulic pump, fork frame, handle and so on. The one-piece pump design simplifies repairs, assuring reliable service and long life .

GALVANIZED PALLET TRUCK

STAINLESS & GALVANIZED PALLET TRUCK

Model	CBY.BX2.0/CBY.BX2.5 CBY.DX2.0/CBY.DX2.5
Capacity(kg)	2000/2500
Min. fork height(mm)	70 - 85
Max. fork height(mm)	195
Total width(mm)	550/685
Fork length(mm)	1150/1220
Self weight(kg)	65-80



Maxiton

Hand Stacker

CTY-E SERIES



HAND STACKER CTY-E

Model	CTY-E1.0	CTY-E1.5	CTY-E2.0
Rated lifting capacity(kg)	1000	1500	2000
Max. lifting height (mm)	1600	1600	1600
Lowered height of forks (mm)	85	85	85
Fork length (mm)	900	900	900
Adjustable width of forks(mm)	320-740	320-740	320-740
Lifting speed(mm/stroke)	20	18	14
Lowering speed(mm/stroke)	Controllable	Controllable	Controllable
Operation power of hand crank(kg)	24	28	32
Outer width of front legs (mm)	690	690	690
Min. refuel volume for fuel tank(L)	1.5	1.8	2.0
Front wheel size(mm)	φ 75x52	φ 75x70	φ 75x70
Rear wheel size(mm)	φ 180x50	φ 180x50	φ 180x50
Overall size(mm)	2030x780x1450	2040x780x1470	2040x780x1470
Self weight(kg)	150	220	250

CTY-EH SERIES



HAND STACKER CTY-EH

Model	CTY-EH1.0	CTY-EH1.5	CTY-EH2.0
Rated lifting capacity(kg)	1000	1500	2000
Max. lifting height(mm)	2000/2500/3000	2000/2500/3000	2000/2500/3000
Lowered height of forks(mm)	90	90	90
Fork length (mm)	900	900	900
Adjustable width of forks(mm)	300-750	340/750	340/750
Lifting speed(mm/stroke)	14	14	14
Lowering speed(mm/stroke)	Controllable	Controllable	Controllable
Operations power of crank(kg)	32	32	32
Outer width of front legs(mm)	690	690	690
Front wheel size(mm)	φ 75x52	φ 75x70	φ 75x70
Rear wheel size(mm)	φ 180x50	φ 180x50	φ 180x50
Overall size(mm)	1895x785x1470	2150x785x1470	2150x785x1470
Self weight(kg)	220/240	250/280	290/320

CTY-EW SERIES



HAND STACKER CTY-EW

Model	CTY-EW1.0(1400)	CTY-EW1.5(1400)	CTY-EW2.0(1400)
Rated lifting capacity(kg)	1000	1500	2000
Max. lifting height(mm)	1600	1600	1600
Lowered height of forks(mm)	90	90	90
Fork length(mm)	900	900	900
Adjustable width of forks (mm)	300-1200	300-1200	300-1200
Lifting speed(mm/stroke)	20	20	20
Lowering speed(mm/stroke)	Adjustable	Adjustable	Adjustable
Operation power of crank(kg)	24	24	24
Outer width of front legs(mm)	1400	1400	1400
Front wheel size(mm)	φ 75x70	φ 75x70	φ 75x70
Rear wheel size(mm)	φ 180x50	φ 180x50	φ 180x50
Overall size(mm)	2080x1400x1470	2080x1400x1470	2080x1400x1470
Self weight(kg)	210	250	290

COT / CDT SERIES



TILTING BARREL FORK LIFT

Model	COT0.35/1.4	CDT0.35/1.5	CDT0.35/2.5
Load lifting capacity(kg)	350	350	350
Lifting height(mm)	1400	1600	2500
Overall dimension(mm)	1190X890X2000	1190X890X2000	1190X890X2000
Self weight(kg)	160	320	365
Overall height(mm)	2020	2120	1950
Net Weight(kg)	155	310	360

Electric Pallet Truck & Stacker

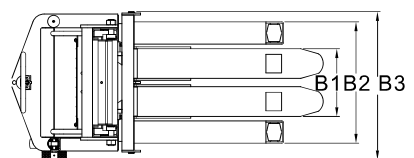
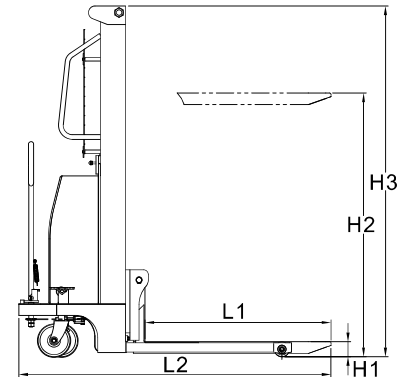
CTD SERIES

Semi-electric stacker is an economical choice for a variety of basic material handling needs, which is a half electric forklift for load and unload and short-distance transportation. There is no noise and pollution. The malfunction rate is low.

SEMI-ELECTRIC STACKER

Model	CTD1.0/1.6	CTD1.0/2.0	CTD1.0/2.5	CTD1.0/3.0	CTD1.0/3.5	CTD1.0/4.0	CTD1.0/4.5	CTD1.0/5.0
Capacity (Kg)	1000	1000	1000	1000	1000	1000	1000	1000
Lifting Height (mm)	1600	2000	2500	3000	3500	4000	4500	5000
Mast Type	Single	Double	Double	Double	2MST/3MST	Triple	Triple	Triple
Fork Length L1 (mm)	1000	1000	1000	1000	1000	1000	1000	1000
Min. Height of Fork H1 (mm)	90	90	90	90	90	90	90	90
Load Center (mm)	500	500	500	500	500	500	500	500
Charging Voltage	AC220V	AC220V	AC220V	AC220V	AC220V	AC220V	AC220V	AC220V
Motor Power	1.6kW	1.6kW	1.6kW	1.6kW	1.6kW	1.6kW	1.6kW	1.6kW
Outer width of Legs (mm)	635	635	635	635	635	635	635	635
Inner width of Legs (mm)	395	395	395	395	395	395	395	395
Adjustable width of Forks (mm)	360-690	360-691	360-692	360-693	360-694	360-695	360-696	360-697
Rear Wheel Size (mm)	Ø80x93	Ø80x93	Ø80x93	Ø80x93	Ø80x93	Ø80x93	Ø80x93	Ø80x93
Front Wheel Size (mm)	Ø80x65	Ø80x65	Ø80x65	Ø80x65	Ø80x65	Ø80x65	Ø80x65	Ø80x65
Weight (kg)	280	305	325	350	410/420	415	420	430
Closed Height H3 (mm)	2080	1650	1900	2150	2300/1900	1900	1900	1900
Extended Height (mm)	2080	2650	3125	3625	3925	4625	5125	5625

Model	CTD1.5/1.6	CTD1.5/2.0	CTD1.5/2.5	CTD1.5/3.0	CTD1.5/3.5	CTD1.5/4.0	CTD1.5/5.0	CTD2.0/1.6	CTD2.0/2.0	CTD2.0/2.5	CTD2.0/3.0	CTD3.0/1.6
Capacity (Kg)	1500	1500	1500	1500	1500	1500	1500	2000	2000	2000	2000	3000
Lifting Height (mm)	1600	2000	2500	3000	3500	4000	5000	1600	2000	2500	3000	1600
Mast Type	Single	Double	Double	Double	2MST/3MST	Triple	Triple	Single	Double	Double	Double	Single
Fork Length L1 (mm)	1000	1000	1000	1000	1000	1000	1000	1000	1000	1000	1000	1000
Min. Height of Fork H1 (mm)	90	90	90	90	90	90	90	90	90	90	90	90
Load Center (mm)	500	500	500	500	500	500	500	500	500	500	500	500
Charging Voltage	AC220V	AC220V	AC220V	AC220V	AC220V	AC220V	AC220V	AC220V	AC220V	AC220V	AC220V	AC220V
Motor Power	1.6kW	1.6kW	1.6kW	1.6kW	1.6kW	1.6kW	1.6kW	1.6kW	2.0kW	2.0kW	2.0kW	2.0kW
Outer width of Legs (mm)	635	635	635	635	635	635	635	635	635	635	635	635
Inner width of Legs (mm)	395	395	395	395	395	395	395	395	395	395	395	395
Adjustable width of Forks (mm)	360-698	360-699	360-700	360-701	360-702	360-703	360-704	360-705	360-706	360-707	360-708	360-709
Rear Wheel Size (mm)	Ø80x93	Ø80x93	Ø80x93	Ø80x93	Ø80x93	Ø80x93	Ø80x93	Ø80x93	Ø80x93	Ø80x93	Ø80x93	Ø80x93
Front Wheel Size (mm)	Ø80x65	Ø80x65	Ø80x65	Ø80x65	Ø80x65	Ø80x65	Ø80x65	Ø80x65	Ø80x65	Ø80x65	Ø80x65	Ø80x65
Weight (kg)	305	350	365	415	420/430	425	430	310	415	420	430	325
Closed Height H3 (mm)	2080	1650	1900	2150	2300/1900	1900	1900	2080	1650	1900	1900	2080
Extended Height (mm)	2080	2650	3125	3625	3925	4625	5125	2080	2650	3125	3625	2080

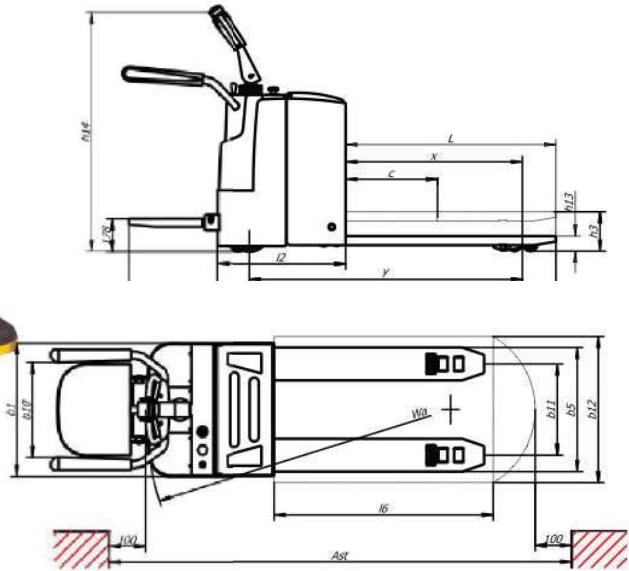


Maxiton

Electric Pallet Truck

CBDN

Guard rails are provided upon request

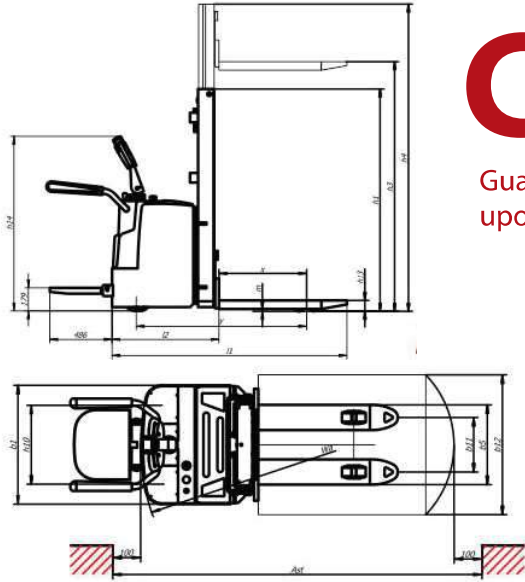


Parameters	Model		CBDN20	CBDN25
	Operate type		Stand Up	Stand Up
	Rated Capacity	Kg	2000	2500
	Load Centre	mm	600	600
	Drive Unit		Electric	
	Wheelbase (y)	Kg	1495	1495
	Self Weight (Without Battery)	mm	320	330
Wheels and tyres	Driving Wheel	mm	ø230x75	ø230x75
	Load Wheel	mm	ø80x70	ø80x70
	Balance Wheel	mm	ø130x55	ø130x55
	Balance wheel Wheelbase (mm)(b10)	mm	498	498
	Load wheel Wheelbase(mm)(b11)	mm	500/390	500/390
	Max Lift height(mm) (h3)	mm	200	200
Performance	Fork Ground clearance(mm) (h13)	mm	85	85
	Total Length (mm) (L1)	mm	1856	1856
	Total width(mm)(b1)	mm	730	730
	Fork dimensions (L/W/H)mm	mm	1150x180x50	1150x180x50
	Fork Width (mm)(b5)	mm	680/570	680/570
	Turning radius (mm) (Wa)	mm	1530	1530
	Traction speed (load/unload)	Km/h	5/6	5/6
	Lifting speed (load/unload)	mm/s	25/30	25/30
	Lowering speed (load/unload)	mm/s	30/25	30/25
	Maximum Grade ability (load/unload)	%	6/15	6/15
Motors Battery	Brake Type		Electric at butterfly release	
	Traction Motor	Kw	1.5Kw/24V	1.5Kw/24V
	Lift motor	Kw	2.2Kw/24V	2.2Kw/24V
	Battery volts/ampere	V/Ah	180AH	180AH
	Battery weight	Kg	200	200
	noise	dB	70	70

Electric Stacker

CTQN

Guard rails are provided upon request



Model	Unit	CTQN12 /1.6	CTQN12 /2.0	CTQN12 /2.5	CTQN12 /3.0	CTQN12 /3.5	CTQN12 /4.0	CTQN16 /1.6	CTQN16 /2.0	CTQN16 /2.5	CTQN16 /3.0	CTQN16 /3.5	CTQN16 /4.0	CTQN20 /1.6	CTQN20 /2.0	CTQN20 /2.5	CTQN20 /3.0
Drive Unit		Electric															
Load Capacity	Kg	1200						1600				2000					
Load center	mm	500															
Mast form		Double Frame, Double cylinder															
Brake way		rebirth system moves + Electric at butterfly release															
Tyre type		Polyurethane															
Front tyre dimensions	mm	ø80x60															
Rear tyre dimensions	mm	ø130x55															
Traction wheel	mm	ø230x75															
Wheels quantity front/rear(x=traction)		1x-4/2															
Travel Position tiller height	mm	1050															
Lift height(h3)	mm	1620	2020	2520	3020	3520	4020	1620	2020	2520	3020	3520	4020	1620	2020	2520	3020
Closed height(h1)	mm	1830	1830	1830	2080	2330	2585	1835	1835	1835	2085	2335	2585	1835	1835	1835	2085
Forks clearance from the ground (h13)	mm	85-90															
Fork Dimensions	S/L1/E(mm)	1150x160x65															
Total Length(l1)	mm	2320						2360									
Total width(b1)	mm	850															
Maximum forks width(b5)	mm	680															
Forks inside width	mm	360															
Minimum turning radius	mm	R1600						R1620									
Minimum turning radius(Open pedal)	mm	R2010															
Lifting Speed(load/unload)	mm/s	90/65															
Lowering speed(load/unload)	mm/s	controllable ≤500															
Traction speed(load/unload)	Km/h	6/5															
Maximum grade ability(load/unload)	%	15/6															
Truck weight(without battery)	Kg	750	785	805	820	860	900	780	820	860	900	940	1000	820	860	900	1000
Battery weight(±5%)	Kg	220															
Electrical engineering control system		stepless speed regulation controller															
Traction motor	Kw	1.5															
Lift motor	Kw	2.2						3									
Battery volts/ampere	V/Ah	2Vx12/240															
Battery Charger	Input	220V/50(60)HZ															
	Output	24V/40A															

Tail Lift

QWB SERIES

A tail lift is a hydraulic device permanently fitted to the back of van or lorry, which is designed to facilitate the materials handling of goods from ground level or a loading dock to the level of the load bed of the vehicle. The tail lifts are available for many sizes of vehicles.

Model	NL-QWB1.0	NL-QWB1.5	NL-QWB2.0	NL-QWB2.5	(Remark)
Platform size(mm)	1700X1600	1800X1600	2000x1800	2300x1800	It can be made according to the customer's demands.
	1800x1600	1800x1700	2100x1800	2400x1800	
	1800x1700	1900x1700	2200x1800	2500x1800	
	1900x1700	(It can be made according the width of different vehicle)			
Capacity(kg)	1000	1500	2000	2500	/
Self weight(kg)	350	450	500	550	/
Motor power(kw)	1.6	1.6/2.2/2.5	2.2/2.5	3	/
Motor	DC12V-24V/100AH-160AH				/
Frame arm length(mm)	600/750/800	750/800/900/950	900/950	900/950	/
Frame inner width(mm)	900	900/1010	900/1010	900/1010	/
Height from vehicle box to ground(mm)	700-1550	700-1550	700-1550	700-1550	/
Average lifting speed (mm/sec)	60-80	60-80	60-80	60-80	Speed can be controlled
Hydraulic oil	68#				/
Platform working angle	5°-9°	5°-9°	5°-9°	5°-9°	/

Remark : Special tail lifts can be made according to the customers' demands.



Tail Lift

QWA SERIES

Aluminium Tail Lifts are built of high tensile aluminium alloy, All the parts, including the hydraulic cylinders, are completely corrosion protection. Aluminium does not need any special treatment to keep it looking nice. Aluminium tail lifts are available for load capacities of 750, 1000, 1500 and 2000 kg.

Model	NL-QWA1.0	NL-QWA1.5	NL-QWA2.0	(Remark)
Platform size(mm)	1700X1600	1800X1600	2000x1800	It can be made according to the customer's demands.
	1800x1600	1800x1700	2100x1800	
	1800x1700	1900x1700	2200x1800	
	1900x1700	(It can be made according the width of the vehicle)		
Capacity(kg)	1000	1500	2000	/
Self weight(kg)	250	330	360	/
Motor power(kw)	1.6	1.6/2.2/2.5	2.2/2.5	/
Motor	DC12V-24V/100AH-160AH			/
Frame arm length(mm)	600/750/800	750/800/900/950	900/950	/
Frame Inner width(mm)	900	900/1010	900/1010	/
Height from vehicle box to ground(mm)	700-1550	700-1550	700-1550	/
Average lifting speed (mm/sec)	60-80	60-80	60-80	Speed can be controlled
Switch speed(mm/sec)	10	10	10	/
Hydraulic oil	68#			/
Platform working angle	5°-9°	5°-9°	5°-9°	/

Remark : Special tail lifts can be made according to the customers' demands.



Maxiton

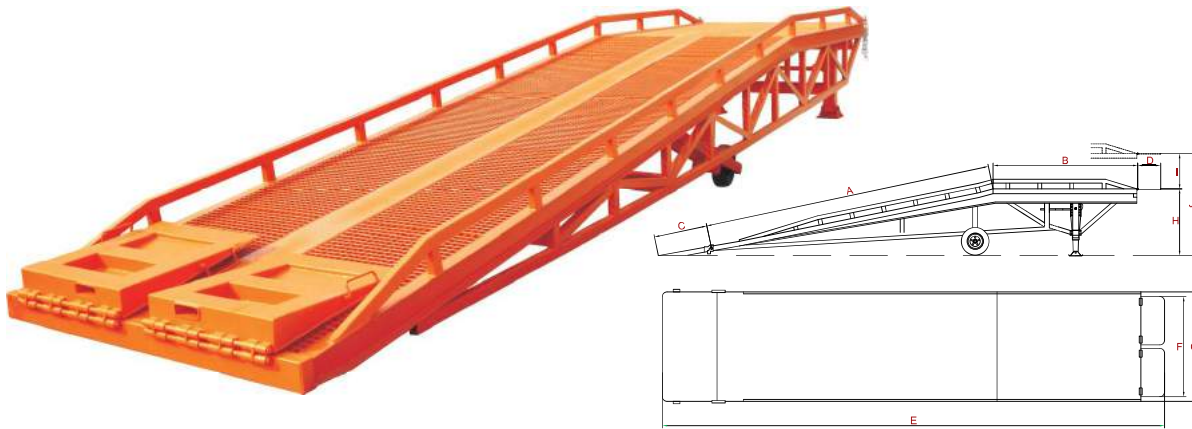
Movable Dock Ramp & Dock Leveller

DCQH SERIES

Movable hydraulic dock ramp is special accessory equipment which can realize rapid loading&unloading the goods, forklift and other handing trucks can directly come into the carriage to quickly load or unload goods, the working efficiency is greatly increased.

MOVABLE HYDRAULIC DOCK RAMP

Model	Capacity (kg)	Platform size(mm)									
		A	B	C	D	E	F	G	H	J	I
DCQH6-0.4	6000	6000	3000	1000	300	10300	1800	2100	1100	1600	500
DCQH8-0.4	8000	6000	3000	1000	300	10300	1800	2100	1100	1600	500
DCQH10-0.4	10000	7000	3000	1000	300	11300	1800	2100	1100	1600	500



DCQY SERIES

Movable dock ramp is special accessory equipment which can realize rapid loading&unloading the goods, forklift and other handing trucks can directly come into the carriage to quickly load or unload goods, the working efficiency is greatly increased.

MOVABLE DOCK RAMP

Model	Capacity (kg)	Platform size(mm)									
		A	B	C	D	E	F	G	H	J	I
DCQY6-0.4	6000	6000	3000	1000	300	10300	1800	2100	1200	1600	400
DCQY8-0.4	8000	6000	3000	1000	300	10300	1800	2100	1200	1600	400
DCQY10-0.4	10000	7000	3000	1000	300	11300	1800	2100	1200	1600	400



Maxiton

Movable Dock Ramp & Dock Leveller

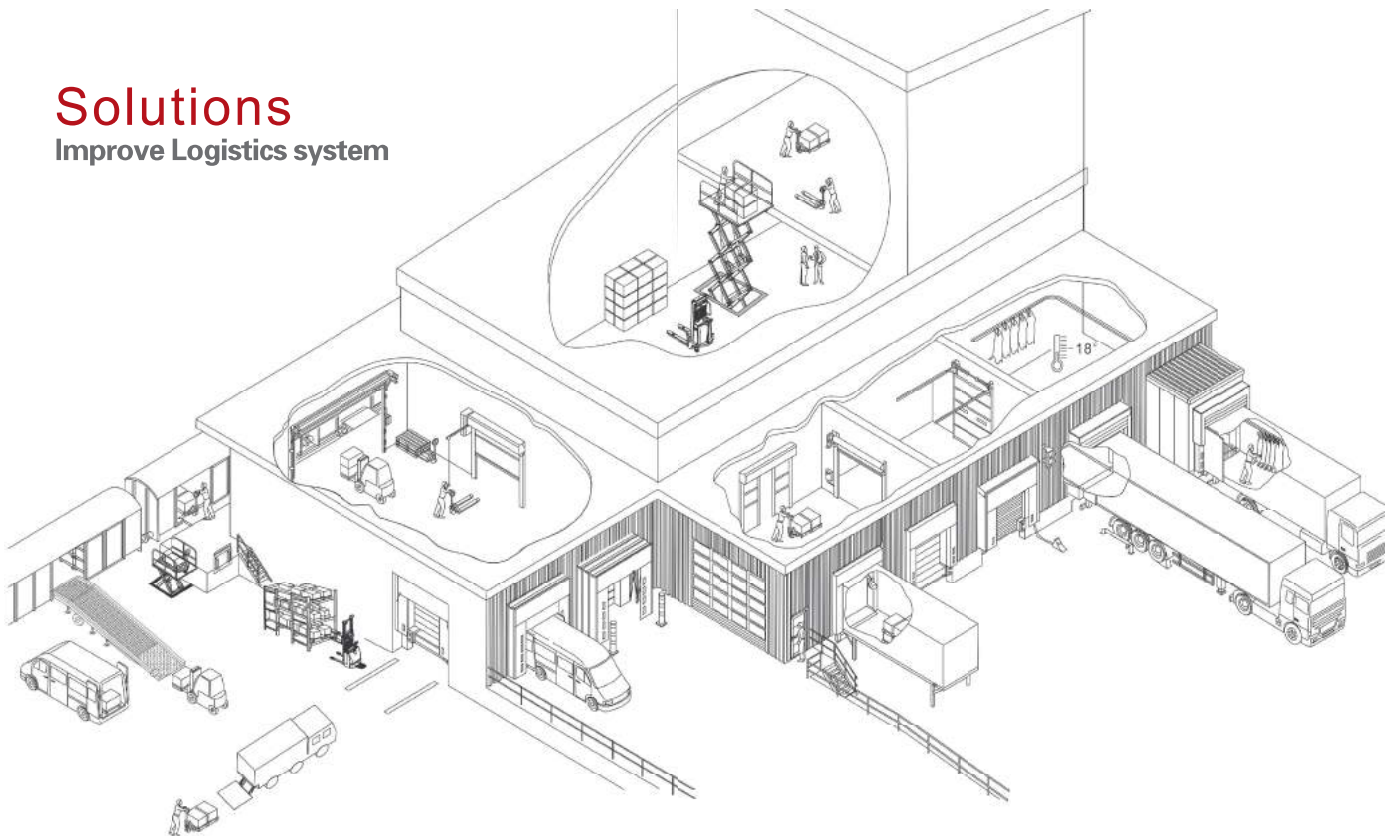
**DCQ
SERIES**

An electro-hydraulic dock leveller is described as a bridge for connecting a vehicle to a building. Frequently the important characteristics that this tool needs are undervalued, in order to guarantee an efficient working environment.



Solutions

Improve Logistics system



Lift Table

SJY SERIES

Mobile scissor lift table adopts scissor type mechanic structure to bring high stability after being elevated. The wide operation platform and high loading ability has made wider aloft work arrange and is suitable for simultaneous multi-worker operation.



MOBILE SCISSOR LIFT TABLE

Model	Load capacity(kg)	Rated height(mm)	Low height(mm)	Platform size(mm)	Elevating time(s)	Motor power (kw)	Voltage (v)	Total weight (kg)
SJY0.3-6	300	6000	1200	1780x840	50	1.5	380V/50HZ	1000
SJY0.5-6	500	6000	1300	1780x840	50	1.5	380V/50HZ	1100
SJY1-6	1000	6000	1400	1780x1000	60	2.2	380V/50HZ	1400
SJY0.3-9	300	9000	1400	2000x1000	70	2.2	380V/50HZ	1400
SJY0.5-9	500	9000	1400	2000x1000	70	2.2	380V/50HZ	1500
SJY1-9	1000	9000	1500	2000x1200	75	3.7	380V/50HZ	1850
SJY0.3-11	300	11000	1600	2150x1200	70	2.2	380V/50HZ	2000
SJY0.5-11	500	11000	1600	2150x1200	80	2.2	380V/50HZ	2100
SJY0.3-12	300	12000	1600	2350x1350	85	3.7	380V/50HZ	2200
SJY0.5-12	500	12000	1600	2350x1350	90	3.7	380V/50HZ	2300
SJY0.3-14	300	14000	2000	2600x1500	120	3.7	380V/50HZ	2800
SJY0.5-14	500	14000	2000	2600x1500	130	3.7	380V/50HZ	3100

Remark : Colour and special specification can be made according to the customer' s demands.

SJG SERIES

Stationary hydraulic lift table is a kind of hydraulic elevator specially designed to lift cargo in storerooms, factories and warehouses. It is designed with guide mechanism to ensure the stable lifting.

STATIONARY HYDRAULIC LIFT TABLE

Model	Load capacity (kg)	Lifting height H2 (mm)	Rated height H2+H1 (mm)	Low height H1 (mm)	Platform size LxB (mm)	Elevating time (s)	Motor power (kw)	Total weight (kg)
Single fork frame								
SJG1-1.7	1000	1700	2160	460	2500x2000	30	2.2	1200
SJG2-1.7	2000	1700	2180	480	2500x2000	30	3.7	1400
SJG3-1.7	3000	1700	2180	480	2500x2000	30	3.7	1600
SJG5-1.7	5000	1700	2280	580	2800x2000	30	7.5	2000
SJG10-1.7	10000	1700	2500	800	4000x2000	30	7.5	3000
Double forks frame								
SJG1-3	1000	3000	3540	540	2000x2000	30	2.2	1300
SJG2-3	2000	3000	3600	600	2000x2000	30	3.7	1600
SJG3-3	3000	3000	3600	600	2000x2000	30	3.7	1800
Multi-forks frame								
SJG1-4	1000	4000	4680	680	2000x2000	40	2.2	1500
SJG2-4	2000	4000	4740	740	2000x2000	40	3.7	1800
SJG3-4	3000	4000	4800	800	2000x2000	40	5.5	2000
SJG1-5	1000	5000	5800	800	2000x2000	60	2.2	1700
SJG2-5	2000	5000	5880	880	2000x2000	60	3.7	2100
SJG3-5	3000	5000	5960	960	2000x2000	60	5.5	2500
SJG1-6	1000	6000	7020	1020	2000x2000	70	3.7	2000
SJG2-6	2000	6000	7120	1120	2000x2000	70	5.5	2500
SJG3-6	3000	6000	7120	1120	2000x2000	70	5.5	3000
SJG1-9	1000	9000	10280	1280	2500x2000	100	5.5	3500
SJG2-9	2000	9000	10520	1520	2500x2000	120	7.5	4800
Multi-forks frame								
SJG4-4	4000	4000	4740	740	4500x2000	50	5.5	3500
SJG4-5	4000	5000	5880	800	6000x2000	60	5.5	4000
SJG5-5.5	5000	5500	6380	880	6000x2000	60	7.5	5000



Remark : Colour and special specification can be made according to the customer' s demands.

HY SERIES

HYDRAULIC PRESSURE FLUCTUATION LADDER

Model	Rated Lifting Capacity (Kg)	Min height/Max height (mm)	platform size (mm)	Base size (mm)	Elevating time (s)	Power parameters	N. W. (Kg)
HY1001	1000	85/860	1450x1140	1325x1074	25	380V/50HZ	357
HY1002	1000	85/860	1600x1140	1325x1074	25	380V/50HZ	364
HY1003	1000	85/860	1450x800	1325x734	25	380V/50HZ	326
HY1004	1000	85/860	1600x800	1325x734	25	380V/50HZ	332
HY1005	1000	85/860	1600x1000	1325x734	25	380V/50HZ	352
HY1501	1500	105/870	1600x800	1325x734	30	380V/50HZ	302
HY1502	1500	105/870	1600x1000	1325x734	30	380V/50HZ	401
HY1503	1500	105/870	1600x1180	1325x734	30	380V/50HZ	415
HY2001	2000	105/870	1600x1180	1427x1114	35	380V/50HZ	419
HY2002	2000	105/870	1600x1000	1427x734	35	380V/50HZ	405



Remark : Colour and special specification can be made according to the customer' s demands.

Lift Table

HW SERIES

HYDRAULIC PRESSURE FLUCTUATION LADDER

Model	Rated Lifting Capacity (Kg)	Min height/Max height (mm)	Platform size (mm)	Base size (mm)	Elevating time (s)	Power parameters	N. W. (Kg)
HW1001	1000	205/990	1300x820	1240x640	20-25	380V/50HZ	160
HW1002	1000	205/990	1600x1000	1240x640	20-25	380V/50HZ	186
HW1003	1000	240/1300	1700x850	1580x640	30-35	380V/50HZ	200
HW1004	1000	240/1300	1700x1000	1580x640	30-35	380V/50HZ	210
HW1005	1000	240/1300	2000x850	1580x640	30-35	380V/50HZ	212
HW1006	1000	240/1300	2000x1000	1580x640	30-35	380V/50HZ	223
HW1007	1000	240/1300	1700x1500	1580x1320	30-40	380V/50HZ	365
HW1008	1000	240/1300	2000x1700	1580x1320	30-40	380V/50HZ	430
HW2001	2000	230/1000	1300x850	1220x785	20-25	380V/50HZ	235
HW2002	2000	230/1000	1600x1000	1220x785	20-25	380V/50HZ	268
HW2003	2000	250/1300	1700x850	1600x785	25-35	380V/50HZ	289
HW2004	2000	250/1300	1700x1000	1600x785	25-35	380V/50HZ	300
HW2005	2000	250/1300	2000x850	1600x785	25-35	380V/50HZ	300
HW2006	2000	250/1300	2000x1000	1600x785	25-35	380V/50HZ	315
HW2007	2000	250/1400	1700x1500	1600x1435	25-35	380V/50HZ	415
HW2008	2000	250/1400	2000x1800	1600x1435	25-35	380V/50HZ	500
HW4001	4000	240/1050	1700x1200	1600x900	30-40	380V/50HZ	375
HW4002	4000	240/1050	2000x1200	1600x900	30-40	380V/50HZ	405
HW4003	4000	300/1400	2000x1000	1980x900	30-40	380V/50HZ	470
HW4004	4000	300/1400	2000x1200	1980x900	35-40	380V/50HZ	490
HW4005	4000	300/1400	2200x1000	1980x900	35-40	380V/50HZ	480
HW4006	4000	300/1400	2200x1200	1980x900	35-40	380V/50HZ	505
HW4007	4000	350/1300	1700x1500	1620x1400	35-45	380V/50HZ	570
HW4008	4000	350/1300	2200x1800	1620x1400	35-45	380V/50HZ	655



HW1001



HW2001



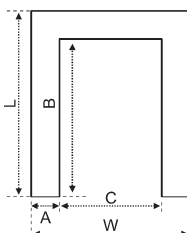
HW4001

Remark : Colour and special specification can be made according to the customer' s demands.

HU SERIES

HYDRAULIC PRESSURE FLUCTUATION LADDER

Model	HU1000	HU1500
Rated Lifting Capacity (Kg)	1000	1500
platform size (mm)	1450x1140	1600x1180
Size A (mm)	280	300
Size B (mm)	1080	1194
Size C (mm)	580	580
Min height/Max height (mm)	85/860	105/860
Base size (mm)	1335x947	1335x947
Elevating time (s)	25-35	30-40
Power parameters	380V/50HZ	380V/50HZ
N. W. (mm)	280	380



Remark : Colour and special specification can be made according to the customer' s demands.

Order Picker GOPZ

Self-propelled Stock Order Picker

Parameter table

SPECIFICATION	GOPZ202	GOPZ302	GOPZ3.502	GOPZ3.503	GOPZ403	GOPZ4.503
Load capacity	300KG	300KG	300KG	300KG	300KG	300KG
Platform height (H _B)	2m	3m	3.5m	3.5m	4m	4.5m
Working height (H ₂)	4m	5m	5.5m	5.5m	6m	6.5m
Overall height (H ₁)	1.42m	1.93m	2.15m	1.64m	1.82m	1.98m
Overall width (W ₁)	0.7m	0.7m	0.7m	0.7m	0.7m	0.7m
Overall length (L ₁)	1.53m	1.53m	1.53m	1.53m	1.53m	1.53m
Maximum slope	1.5-3°	1.5-3°	1.5-3°	1.5-3°	1.5-3°	1.5-3°
Gradeability	30%	30%	30%	30%	30%	30%
Maximum Drive Speeds-Stowed	4Km/h	4Km/h	4Km/h	4Km/h	4Km/h	4Km/h
Maximum Drive Speeds-Raised	1.1Km/h	1.1Km/h	1.1Km/h	1.1Km/h	1.1Km/h	1.1Km/h
Ground clearance	0.04m	0.04m	0.04m	0.05m	0.05m	0.05m
Wheelbase	1.24m	1.24m	1.24m	1.24m	1.24m	1.24m
Front wheels	6in	6in	6in	6in	6in	6in
Drive wheel	φ 250*80	φ 250*80	φ 250*80	φ 250*80	φ 250*80	φ 250*80
Batteries	2-12V/120Ah	2-12V/120Ah	2-12V/120Ah	2-12V/120Ah	2-12V/120Ah	2-12V/120Ah
Integrated charger	24V/15A	24V/15A	24V/15A	24V/15A	24V/15A	24V/15A
Drive motors	2-24V/0.5KW	2-24V/0.5KW	2-24V/0.5KW	2-24V/0.5KW	2-24V/0.5KW	2-24V/0.5KW
Lifting motor	24VDC/1.5KW	24VDC/1.5KW	24VDC/1.5KW	24VDC/1.5KW	24VDC/1.5KW	24VDC/1.5KW
Self weight	400KG	574KG	588KG	655KG	665KG	675KG
Platform size	0.95*0.64m	0.95*0.64m	0.95*0.64m	0.9*0.64m	0.9*0.64m	0.9*0.64m
Up/Down speed	12/14sec	20/22sec	24/26sec	17/19sec	20/22sec	23/25sec



GTWZ

Self-propelled Vertical Lift

Parameter table

SPECIFICATION	GTWZ7.501	GTWZ601
Load capacity	125KG	150KG
Extended platform Load	90KG	90KG
Working height	9.5m	8m
Platform height	7.5m	6m
Overall height	2.00m	1.92m
Overall width	0.8m	0.8m
Overall length	1.36m	1.36m
Maximum slope	1.5-3°	1.5-3°
Grade ability	30%	30%
Maximum Drive Speeds-Stowed	4Km/h	4Km/h
Maximum Drive Speeds-Raised	1.1Km/h	1.1Km/h
Ground clearance	0.02m	0.02m
Wheelbase	1.17m	1.17m
Front wheels	8in	8in
Drive wheel	φ 250*80	φ 250*80
Platform size	0.78*0.70m	0.78*0.70m
Platform extension size	0.56m	0.56m
Self Weight	880KG	850KG
Batteries	2-12V/120Ah	2-12V/120Ah
Integrated charger	24V/15A	24V/15A
Drive motors	2-24V/0.5KW	2-24V/0.5KW
Lifting motor	24VDC/1.5KW	24VDC/1.5KW
Up/Down speed	48/40sec	43/35sec

Order Picker

GKP SERIES

The semi-electric order picker offers an economical solution for maintenance in warehouse, shopping centers, when working at height (400 kg max lifting capacity).

SEMI ELECTRIC AERIAL ORDER PICKER

Model		GKP0.2/2.72	GKP 0.2/3.3	GKP 0.4/3.5	GKP 0.4/4.0	GKP 0.4/4.5
Max.Platform height	mm	2720	3300	3500	4000	4500
Max.Machine height	mm	4020	4900	4200	4700	5200
Ground Clearance	mm	30	30	30	30	30
Lift Rated Capacity	kg	200	200	400	400	400
Platform Size	mm	600X600	600X640	600x600	600x600	600x600
Lifting Motor	v/kw	12/1.5	12/1.5	1.5	1.5	1.5
Battery	v/Ah	12/120	12/120	12/120	12/200	12/200
Charger	v/A	12/15	12/15	12/15	12/15	12/15
Overall length	mm	1300	1300	1500	1520	1560
Overall Width	mm	760	840	900	1000	1100
Overall Height	mm	1760	2040	2250	2500	2750
Self weight	kg	270	320	420	450	480

Remark:Colour and special specification can be made according to the customer's demands.



GTWY SERIES

Aluminium alloy aerial lift platform is mainly made up of high strength high quality aluminium alloy materials . This lift platform uses mast column to support the working platform . It is designed for aerial works.

SPECIFICATIONS

Model	GTWY4-100	GTWY6-100	GTWY8-100	GTWY9-100
Maximum Platform Height(m)	4	6	8	9
Maximum Working Height(m)	5.7	7.7	9.7	10.7
Capacity (kg)	125	125	125	125
Platform size(m)	0.60X0.55	0.60X0.55	0.60X0.55	0.60X0.55
Power Supply (V/HZ)	AC220/50HZ	AC220/50HZ	AC220/50HZ	AC220/50HZ
Motor Power (KW)	1.1	1.1	1.1	1.1
Self Weight (kg)	185	210	250	280
Overall Dimension (m)	1.05X0.75X1.65	1.30X0.80X1.65	1.30X0.80X1.98	1.35X0.85X1.98

SPECIFICATIONS

Model	GTWY6-200S	GTWY8-200S	GTWY9-200S	GTWY10-200S	GTWY12-200S
Maximum Platform Height(m)	6	8	9	10	12
Maximum Working Height(m)	7.7	9.7	10.7	11.7	13.7
Capacity (kg)	200	200	200	200	200
Platform size(m)	1.18X0.60	1.18X0.60	1.38X0.60	1.38X0.60	1.48X0.60
Power Supply (V/HZ)	AC220/50HZ	AC220/50HZ	AC220/50HZ	AC220/50HZ	AC220/50HZ
Motor Power (KW)	1.1	1.1	1.1	1.1	1.1
Self Weight (kg)	320	385	450	490	560
Overall Dimension (m)	1.35X0.85X1.65	1.35X0.85X2.00	1.55X0.95X2.00	1.55X0.95X2.00	1.65X1.00X2.00



SPECIFICATIONS

Model	Maximum Platform Height(m)	Maximum Working Height(m)	Capacity (kg)	Platform size(m)	Power Supply (V/HZ)	Motor Power (KW)	Self Weight (kg)	Overall Dimension (m)
GTWY10-300	10	11.7	300	1.40X0.93	AC220/50HZ	2.2	930	1.65X1.10X2.05
GTWY12-300	12	13.7	300	1.50X0.93	AC220/50HZ	2.2	980	1.75X1.10X2.05
GTWY14-300	14	15.7	250	1.50X0.93	AC220/50HZ	2.2	1000	1.75X1.10X2.42

