

## CMP 系列SERIES

### 移动式双柱型高空作业平台

#### DOUBLE MASTS AERIAL WORK PLATFORM

##### Standard Features

- Aluminum platform basket
- Polyurethane non-mark tires
- Forklift pockets
- Foldable inclined ladder
- Two controls of the platform and base
- Lower beeper warning
- Reversal platform
- Lowering switch
- Outrigger storage frame

##### Options Features

- Door type wide platform
- Extendable platform
- Narrow/Rough ground chassis
- Wide chassis
- DC power
- Tool box
- Platform positioning laser lights
- Fluorescent tubes box
- Working flashing beacon
- Top limit protection auto-stop device
- Auxiliary drive wheel
- Maintenance-free battery
- Equipment protection cover



美通重工有限公司

Mantall Heavy Industry Co.,Ltd

公司地址: 中国江苏省启东市滨海工业园滨海大道62号 邮编/PC: 226236

ADD: No.62,Binhai Avenue,Binhai Industry Park,Qidong City,Jiangsu Province,China

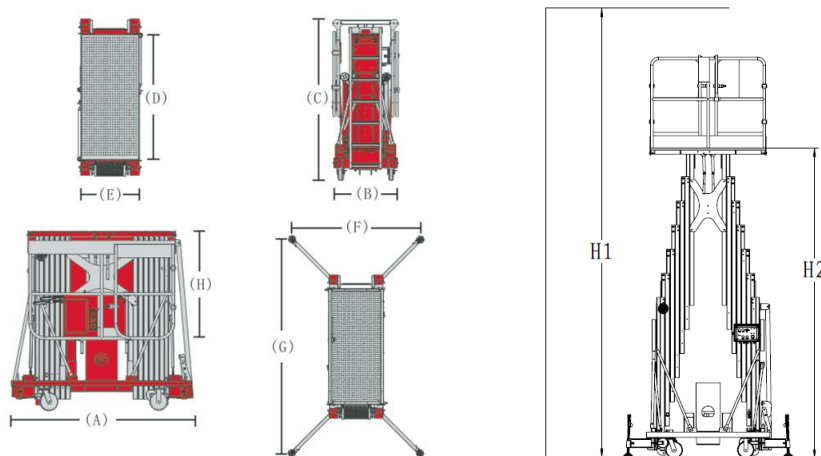
电话/Tel: +86-513-83830000 83696888

传真/Fax: +86-513-83905178

E-mail:sales@mantall.com

网址/Web:www.mantall.com

**DOUBLE MASTS AERIAL WORK PLATFORM**



Model	CMP-10		CMP-12		CMP-14	
	Metric system	Inch	Metric system	Inch	Metric system	Inch
Standard Parameter				Foot		
Working height	10m	32Foot10Inch	12m	39Foot5Inch	14m	45Foot11Inch
Platform height	8m	26Foot2Inch	10m	32Foot10Inch	12m	39Foot5Inch
Lift capacity	272kg	599Pound	272kg	599Pound	200kg	440Pound
Weight	800kg	1763Pound	850kg	1873Pound	900kg	1984Pound
Stowed size length	1.48m	4Foot11Inch	1.48m	4Foot11Inch	1.6m	5Foot2Inch
Stowed size width	0.8m	2Foot7Inch	0.8m	2Foot7Inch	0.8m	2Foot7Inch
Stowed size height	1.98m	6Foot6Inch	1.98m	6Foot6Inch	1.98m	6Foot6Inch
Platform size length	1.37m	4Foot6Inch	1.37m	4Foot6Inch	1.5m	4Foot11Inch
Platform size width	0.7m	2Foot4Inch	0.7m	2Foot4Inch	0.7m	2Foot4Inch
Platform size height	1.1m	3Foot7Inch	1.1m	3Foot7Inch	1.1m	3Foot7Inch
Outrigger footprint	1.9m×2.1m	6Foot2Inch*6Foot11Inch	1.9m×2.1m	6Foot2Inch*6Foot11Inch	2.5m×2.1m	8Foot2Inch*6Foot11Inch
Power source(AC/DC)	220V/110V/12V/50HZ		220V/110V/12V/50HZ		220V/110V/12V/50HZ	
Option wide chassis parameter						
Stowed size length	2.02m	6Foot7Inch	2.02m	6Foot7Inch	2.02m	6Foot7Inch
Stowed size width	0.8m	2Foot7Inch	0.8m	2Foot7Inch	0.8m	2Foot7Inch
Stowed size height	2m	6Foot7Inch	2m	6Foot7Inch	2.75m	9Foot
Platform size length	1.63m	5Foot4Inch	1.63m	5Foot4Inch	1.8m	5Foot11Inch
Platform size width	0.8m	2Foot7Inch	0.8m	2Foot7Inch	0.7m	2Foot4Inch
Platform size height	1.1m	3Foot7Inch	1.1m	3Foot7Inch	1.1m	3Foot7Inch
Outrigger footprint	1.8m×3.0m	5Foot11Inch*9Foot10Inch	1.8m×3.0m	5Foot11Inch*9Foot10Inch	2.7m×2.8m	8Foot11Inch*9Foot2Inch
Weight	885kg	1951Pound	935kg	2061Pound	985kg	2171Pound

## DOUBLE MASTS AERIAL WORK PLATFORM

Model	CMP-16		CMP-18	
	Metric system	Inch	Metric system	Inch
Standard Parameter				
Working height	16m	52Foot6Inch	18m	59Foot1Inch
Platform height	14m	45Foot11Inch	16m	52Foot6Inch
Lift capacity	200kg	440Pound	150kg	330Pound
Weight	1065kg	2347Pound	1185kg	2612Pound
Stowed size length	2m	6Foot7Inch	2m	6Foot7Inch
Stowed size width	0.8m	2Foot7Inch	0.8m	2Foot7Inch
Stowed size height	2.75m	9Foot	2.75m	9Foot
Platform size length	1.8m	5Foot11Inch	1.8m	5Foot11Inch
Platform size width	0.7m	2Foot4Inch	0.7m	2Foot4Inch
Platform size height	1.1m	3Foot7Inch	1.1m	3Foot7Inch
Outrigger footprint	2.7m × 2.8m	8Foot11Inch*9Foot2Inch	2.7m × 2.8m	8Foot11Inch*9Foot2Inch
Power source(AC/DC)	220V/110V/12V/50HZ		220V/110V/12V/50HZ	
Option wide chassis parameter				
Stowed size length				
Stowed size width				
Stowed size height				
Platform size length				
Platform size width				
Platform size height				
Outrigger footprint				
Weight				
Option rotate chassis parameter				
Stowed size length	2.7m	8Foot11Inch	2.7m	8Foot11Inch
Stowed size width	0.85m	2Foot10Inch	0.85m	2Foot10Inch
Stowed size height	1.98m	6Foot6Inch	1.98m	6Foot6Inch
Platform size length	1.49m	4Foot11Inch	1.49m	4Foot11Inch
Platform size width	0.78m	2Foot7Inch	0.78m	2Foot7Inch
Platform size height	1.1m	3Foot7Inch	1.1m	3Foot7Inch
Outrigger footprint	2.98m × 2.81m	9Foot10Inch*9Foot2Inch	2.98m × 2.81m	9Foot10Inch*9Foot2Inch
Weight	1490kg	3284Pound	1540kg	3395Pound

## ASP 系列SERIES

### 移动式单柱套筒型高空作业平台

#### SLEEVE TYPE AERIAL WORK PLATFORM

##### Standard Features

- Aluminum platform basket
- Polyurethane non-mark tires
- Leverage ro-ro device
- Lifting ears
- Two controls of the platform and base
- Lower beeper warning
- Tilting device
- Lowering switch
- Outrigger storage frame

##### Options Features

- Door type standard/narrow/wide platform
- Extendable platform
- Fiber glass platform
- Goods collection platform
- Narrow/Rough ground chassis
- DC power
- Stairs bracket
- Tool box
- Platform positioning laser lights
- Fluorescent tubes box
- Working flashing beacon
- Top limit protection auto-stop device
- Auxiliary drive wheel
- Maintenance-free battery
- Equipment protection cover



美通重工有限公司

Mantall Heavy Industry Co.,Ltd

公司地址: 中国江苏省启东市滨海工业园滨海大道62号 邮编/PC: 226236

ADD: No.62,Binhai Avenue,Binhai Industry Park,Qidong City,Jiangsu Province,China

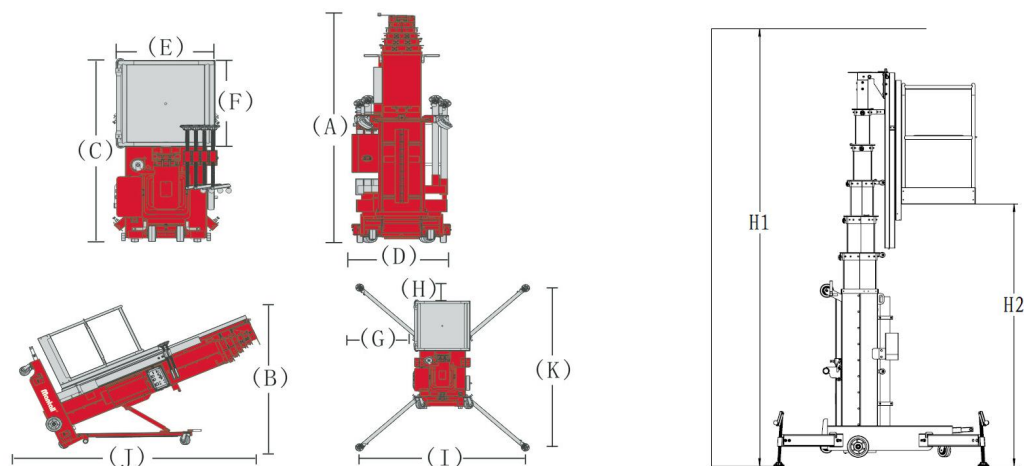
电话/Tel: +86-513-83830000 83696888

传真/Fax: +86-513-83905178

E-mail:sales@mantall.com

网址/Web:www.mantall.com

**SLEEVE TYPE AERIAL WORK PLATFORM**



Model	ASP26		ASP32		ASP40	
	Metric system	Inch	Metric system	Inch	Metric system	Inch
Working height max.	10.0m	32Foot10Inch	12.0m	39Foot5Inch	14.0m	45Foot11Inch
Platform height max.	8.0m	26Foot2Inch	10.0m	32Foot10Inch	12.0m	39Foot5Inch
Li ft capacity	136kg	299Pound	159kg	350Pound	120kg	264Pound
Basket size(E*F)	0.68m*0.68m	2Foot2Inch*2Foot2Inch	0.68m*0.68m	2Foot2Inch*2Foot2Inch	0.68m*0.68m	2Foot2Inch*2Foot2Inch
Width, stowed (D)	0.74m	2Foot5Inch	0.74m	2Foot5Inch	0.74m	2Foot5Inch
Height, stowed (A)	1.98m	6Foot6Inch	2.63m	8Foot7Inch	2.94m	9Foot7Inch
Length, stowed (C)	1.45m	4Foot10Inch	1.45m	4Foot10Inch	1.45m	4Foot10Inch
Height, tilted back (B)	---	---	1.98m	6Foot6Inch	1.98m	6Foot6Inch
Length, tilted back (J)	---	---	2.63m	8Foot7Inch	2.94m	9.6Foot
Outrigger footprint (I*K)	1.86*2.0m	6Foot1Inch*6Foot7Inch	2.13*2.0m	7Foot*6Foot7Inch	2.13*2.0m	7Foot*6Foot7Inch
Wall access front /side (H/G)	0.13/0.58m	5Inch/1Foot11Inch	0.26/0.71m	10Inch/2Foot4Inch	0.26/0.71m	10Inch/2Foot4Inch
Power source (AC/DC)	220V/110V/12V/50HZ		220V/110V/12V/50HZ		220V/110V/12V/50HZ	
Weights (AC/DC)	440kg/480kg	970Pound/1058Pound	500kg/540kg	1102Pound/1190Pound	540kg/580kg	1190Pound/1278Pound

## ALP 系列SERIES

### 超级物料升降机

### SUPER MATERIAL LIFT

#### Standard Features

- Incorporates a silent ratchet system
- Transportation wheels
- Roller wheels with brake
- Standard forks
- Telescopic mast design
- Solid Steel base

#### Options Features

- Adjustable Forks
- Flat Forks
- Boom
- Pipe cross Forks
- Load Platform



美通重工有限公司

Mantall Heavy Industry Co.,Ltd

公司地址: 中国江苏省启东市滨海工业园滨海大道62号 邮编/PC: 226236

ADD: No.62,Binhai Avenue,Binhai Industry Park,Qidong City,Jiangsu Province,China

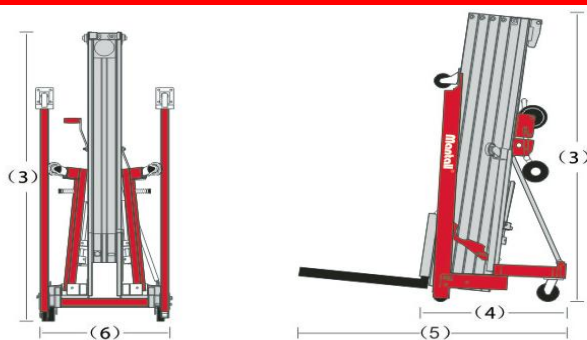
电话/Tel: +86-513-83830000 83696888

传真/Fax: +86-513-83905178

E-mail:sales@mantall.com

网址/Web:www.mantall.com

## SUPER MATERIAL LIFT



Model	ALP-10		ALP-15		ALP-20		ALP-25	
	Metric system	Inch	Metric system	Inch	Metric system	Inch	Metric system	Inch
Measurements								
Working height								
standard forks-up	3.48m	11Foot5Inch	5.00m	16Foot5Inch	6.45m	21Foot2Inch	7.95m	26Foot1Inch
standard forks-down	2.96m	9Foot8Inch	4.48m	14Foot8Inch	5.93m	19Foot6Inch	7.43m	24Foot5Inch
Adjustable forks-up	3.48m	11Foot5Inch	5.00m	16Foot5Inch	6.45m	21Foot2Inch	7.95m	26Foot1Inch
Adjustable forks-down	2.96m	9Foot8Inch	4.48m	14Foot8Inch	5.93m	19Foot6Inch	7.43m	24Foot5Inch
Flat forks	2.96m	9Foot8Inch	4.48m	14Foot8Inch	—	—	—	—
Boom***	3.28m	10Foot10Inch	4.76m	15Foot7Inch	6.25m	20Foot6Inch	7.42m	24Foot2Inch
Load platform**-forks up	3.49m	11Foot5Inch	4.98m	16Foot4Inch	6.46m	21Foot2Inch	7.94m	26Foot
Load platform**-forks down	2.97m	9Foot8Inch	4.46m	14Foot7Inch	5.94m	19Foot6Inch	7.42m	24Foot2Inch
Height-stowed	1.98m	6Foot6Inch	1.98m	6Foot6Inch	1.98m	6Foot6Inch	1.98m	6Foot6Inch
Length-stowed	0.75m	2Foot6Inch	0.75m	2Foot6Inch	0.75m	2Foot6Inch	0.83m	2Foot8Inch
Length-operating	2.2m	7Foot2Inch	2.2m	7Foot2Inch	2.2m	7Foot2Inch	2.2m	7Foot2Inch
Width-stowed	0.79m	2Foot7Inch	0.79m	2Foot7Inch	0.79m	2Foot7Inch	0.79m	2Foot7Inch
—stabilizers lowered	1.9m	6Foot2Inch	1.9m	6Foot2Inch	1.9m	6Foot2Inch	1.9m	6Foot2Inch
Width-straddle base*								
Minimum	0.80m	2Foot7Inch	0.80m	2Foot7Inch	—	—	—	—
Maximum	1.47m	4Foot10Inch	1.47m	4Foot10Inch	—	—	—	—
Maximum inside	1.27m	4Foot2Inch	1.27m	4Foot2Inch	—	—	—	—
Ground clearance-center	0.05m	2Inch	0.05m	2Inch	0.05m	2Inch	0.05m	2Inch
Load height minimum	0.15m	6Inch	0.15m	6Inch	0.15m	6Inch	0.15m	6Inch
Productivity								
Load capacity								
46cm load center	454kg	1000Pound	363kg	800Pound	363kg	800Pound	295kg	650Pound
61cm load center	454kg	1000Pound	363kg	800Pound	272kg	599Pound	204kg	449Pound
1.07m load center	181kg	399Pound	227kg	500Pound	159kg	350Pound	113kg	249Pound
Power								
Power	Single speed winch							
Weight								
Standard	163kg	359Pound	183kg	403Pound	203kg	447Pound	224kg	493Pound



## AMP 系列SERIES

### 移动式单柱型高空作业平台

#### PORTABLE TYPE AERIAL WORK PLATFORM

##### Standard Features

- Aluminum platform basket
- Polyurethane non-mark tires
- Leverage ro-ro device
- Lifting ears
- Two controls of the platform and base
- Lower beeper warning
- Tilting device(only AMP40)
- Lowering switch
- Outrigger storage frame

##### Options Features

- Door type standard/narrow/wide platform
- Extendable platform
- Fiber glass platform
- Goods collection platform
- Narrow/Rough ground chassis
- DC power
- Stairs bracket
- Tool box
- Platform positioning laser lights
- Fluorescent tubes box
- Working flashing beacon
- Top limit protection auto-stop device
- Auxiliary drive wheel
- Maintenance-free battery
- Equipment protection cover



美通重工有限公司

Mantall Heavy Industry Co.,Ltd

公司地址: 中国江苏省启东市滨海工业园滨海大道62号 邮编/PC: 226236

ADD: No.62,Binhai Avenue,Binhai Industry Park,Qidong City,Jiangsu Province,China

电话/Tel: +86-513-83830000 83696888

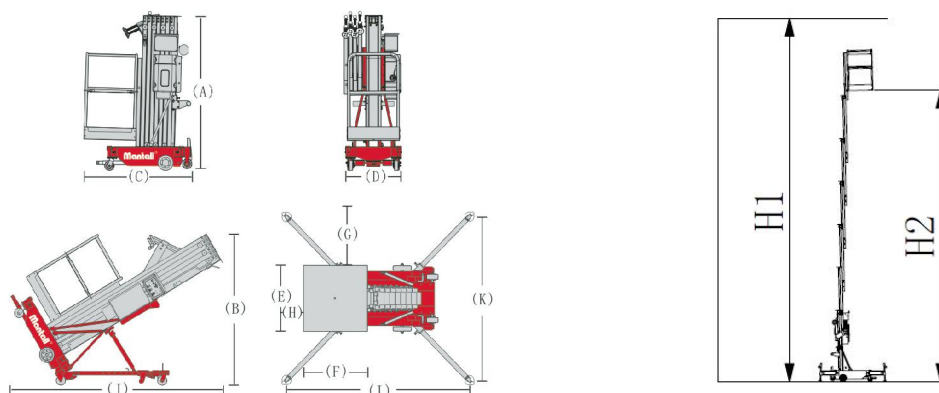
传真/Fax: +86-513-83905178

E-mail:sales@mantall.com

网址/Web:www.mantall.com



### PORTABLE TYPE AERIAL WORK PLATFORM



Model	AMP20		AMP26	
	Metric system	Inch	Metric system	Inch
Working height max.	8.0m	26Foot2Inch	10.0m	32Foot10Inch
Platform height max.	6.0m	19Foot8Inch	8.0m	26Foot2Inch
Lift capacity	159kg	350Pound	159kg	350Pound
Basket size(E*F)	0.69m*0.68m	2Foot4Inch*2Foot2Inch	0.69m*0.68m	2Foot4Inch*2Foot2Inch
Width, stowed (D)	0.74m	2Foot5Inch	0.74m	2Foot5Inch
Height, stowed (A)	1.97m	6Foot6Inch	1.97m	6Foot6Inch
Length, stowed (C)	1.27m	4Foot2Inch	1.36m	4Foot6Inch
Height, tilted back (B)	---	---	---	---
Length, tilted back (J)	---	---	---	---
Outrigger footprint (I*K)	1.77*1.49m	5Foot10Inch*4Foot11Inch	1.77*1.49m	5Foot10Inch*4Foot11Inch
Wall access front/side (H/G)	0.18/0.45m	7Inch/1Foot6Inch	0.18/0.45m	7Inch/1Foot6Inch
Power source (AC/DC)	220V/110V/12V/50HZ		220V/110V/12V/50HZ	
Weights (AC/DC)	335kg/375kg	738Pound/826Pound	355kg/395kg	738Pound/870Pound

Model	AMP32		AMP40	
	Metric system	Inch	Metric system	Inch
Working height max.	12.0m	39Foot5Inch	14.0m	45Foot11Inch
Platform height max.	10.0m	32Foot10Inch	12.0m	39Foot5Inch
Lift capacity	159kg	350Pound	120kg	264Pound
Basket size(E*F)	0.69m*0.68m	2Foot4Inch*2Foot2Inch	0.69m*0.68m	2Foot4Inch*2Foot2Inch
Width, stowed (D)	0.74m	2Foot5Inch	0.74m	2Foot5Inch
Height, stowed (A)	1.97m	6Foot6Inch	2.76m	9Foot1Inch
Length, stowed (C)	1.42m	4Foot8Inch	1.46m	4Foot10Inch
Height, tilted back (B)	---	---	1.98m	6Foot6Inch
Length, tilted back (J)	---	---	2.87m	9Foot5Inch
Outrigger footprint (I*K)	1.99*1.72m	6Foot6Inch*5Foot7Inch	2.27*1.98m	7Foot5Inch*6Foot6Inch
Wall access front/side (H/G)	0.23/0.55m	9Inch/1.80Foot	0.42/0.65m	1Foot5Inch*2Foot2Inch
Power source (AC/DC)	220V/110V/12V/50HZ		220V/110V/12V/50HZ	
Weights (AC/DC)	365kg/405kg	804Pound/892Pound	480kg/520kg	1058Pound/1146Pound

## IMP 系列SERIES

### 自行式单柱型高空作业平台

#### SELF-PROPELLED AERIAL WORK PLATFORM

##### Standard Features

- The working height can reach up to 8m
- The lift capacity can reach to 350Pound (160kg)
- Standard platform with median sliding rod
- Auxiliary platform lowering system
- The platform entrance height for a minimum of 0.38 meters
- Ground emergency lowering valve
- Proportional raising and Driving control
- Diagnosis system
- AC wiring to platform
- Adjustable work tray
- Lowering and tilting alarm
- Turn inter-radius is 0
- Double wheel brake
- Hydraulic brake release
- Pothole guards
- The rear shield mounted with hinge, Conveniently to close to all major electrical and hydraulic components
- Transportation fixing hole
- Wide type forklift handling notch
- Non-mark solid tire

##### Options Features

- Door type standard/narrow/wide platform
- Extendable platform
- Fiber glass platform
- Goods collection platform
- Narrow chassis
- Dual Battery
- Tool box
- Platform positioning laser lights
- Fluorescent tubes box
- Working flashing beacon
- Top limit protection auto-stop device
- Maintenance-free battery
- Equipment protection cover



美通重工有限公司

Mantall Heavy Industry Co.,Ltd

公司地址: 中国江苏省启东市滨海工业园滨海大道62号 邮编/PC: 226236

ADD: No.62,Binhai Avenue,Binhai Industry Park,Qidong City,Jiangsu Province,China

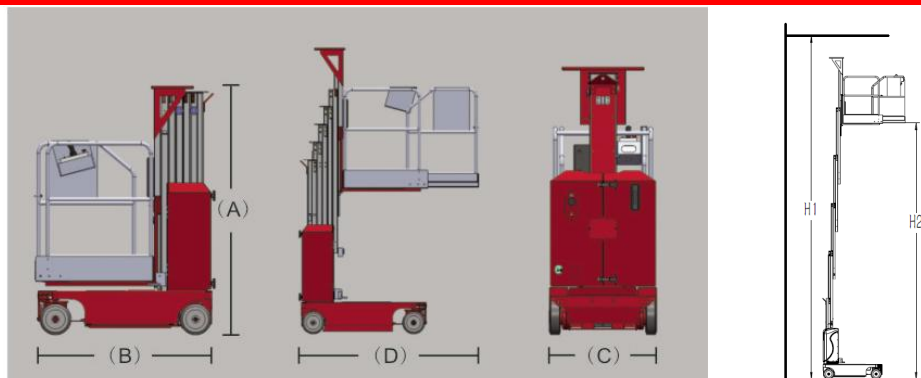
电话/Tel: +86-513-83830000 83696888

传真/Fax: +86-513-83905178

E-mail:sales@mantall.com

网址/Web:www.mantall.com

## SELF-PROPELLED AERIAL WORK PLATFORM



Model	IMP55		IMP65		IMP80	
	Metric system	Inch	Metric system	Inch	Metric system	Inch
Working height	5.5m	18Foot	6.5m	21Foot4Inch	8m	26Foot2Inch
Platform height	3.5m	11Foot6Inch	4.5m	14Foot10Inch	6m	19Foot8Inch
Platform size (length*width) standard	0.9×0.75m	2Foot11Inch*2Foot6Inch	0.9×0.75m	2Foot11Inch*2Foot6Inch	0.9×0.75m	2Foot11Inch*2Foot6Inch
Standard extension platform	1.50×0.75m	4Foot11Inch*2Foot6Inch	1.50×0.75m	4Foot11Inch*2Foot6Inch	1.50×0.75m	4Foot11Inch*2Foot6Inch
Stowed size height	1.6m	5Foot2Inch	1.6m	5Foot2Inch	2m	6Foot7Inch
Stowed size length	1.4m	4Foot7Inch	1.4m	4Foot7Inch	1.4m	4Foot7Inch
Stowed size width	0.8m	2Foot7Inch	0.8m	2Foot7Inch	0.8m	2Foot7Inch
Length of the machine with platform extended (D)	2.0m	6Foot7Inch	2.0m	6Foot7Inch	2.0m	6Foot7Inch
Lift capacity	230kg	507Pound	230kg	507Pound	160kg	352Pound
Weight	716kg	1578Pound	993kg	2189Pound	1110kg	2447Pound
Raising/lowering time	20/18s		20/18s		24/21s	
Ground clearance	0.06m	2Inch	0.06m	2Inch	0.06m	2Inch
Extension platform-lift capacity*	115kg	253Pound	115kg	253Pound	115kg	253Pound
Driving speed-stowed	4.0km/h	2.48Mile/Hour	4.0km/h	2.48Mile/Hour	4.0km/h	2.48Mile/Hour
Driving speed-raising	0.8km/h	0.5Mile/Hour	0.8km/h	0.5Mile/Hour	0.8km/h	0.5Mile/Hour
Gradeability	30%		30%		30%	
Inside rotation radius	0	0	0	0	0	0
Outside rotation radius	1.42m	4Foot8Inch	1.42m	4Foot8Inch	1.42m	4Foot8Inch
Control	Electro-hydraulic control		Electro-hydraulic control		Electro-hydraulic control	
Tire	Seamless 250mm×80mm×200mm	10Inch*2Foot7Inch*8Inch	Seamless 250mm×80mm×200mm	10Inch*2Foot7Inch*8Inch	Seamless 250mm×80mm×200mm	10Inch*2Foot7Inch*8Inch
Power source	DC24V225Ah		DC24V225Ah		DC24V225Ah	
Hydraulic tank capacity	8.5L		8.5L		8.5L	